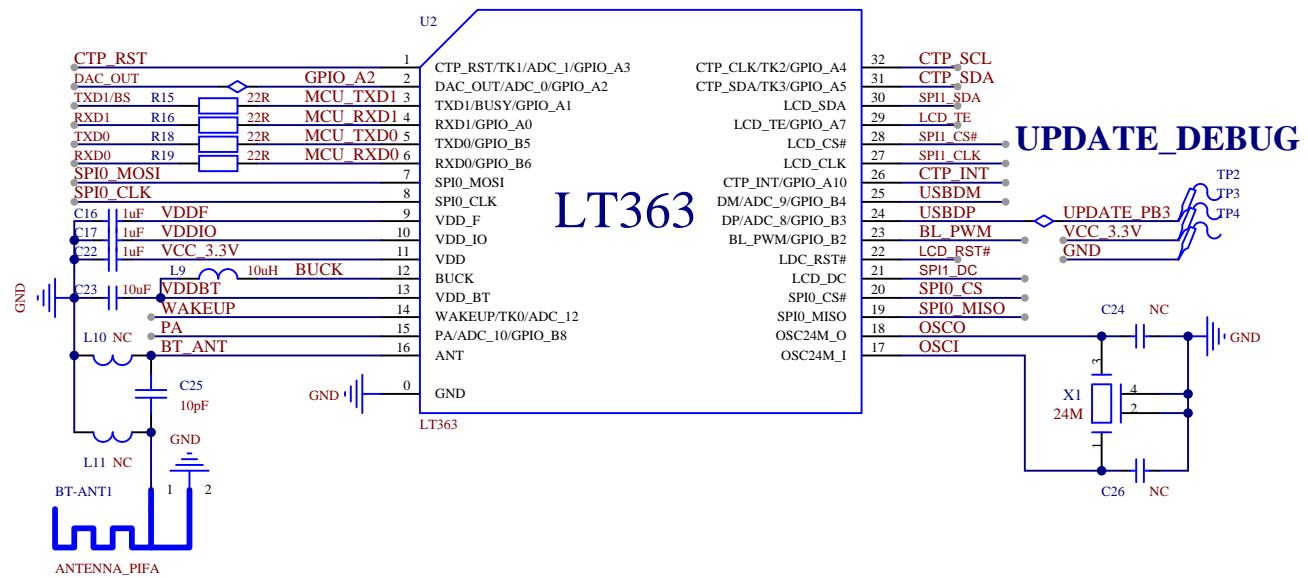
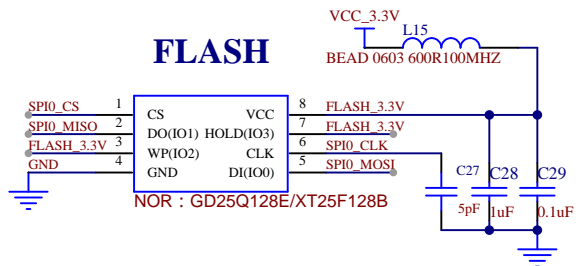


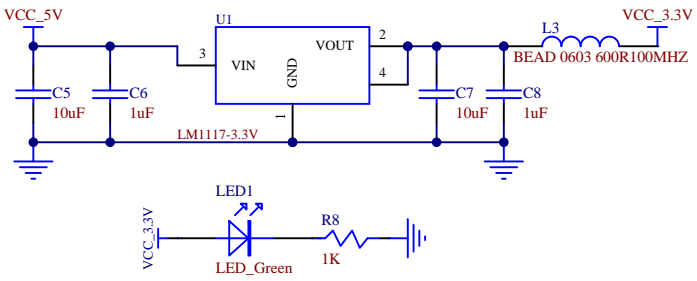
LT363



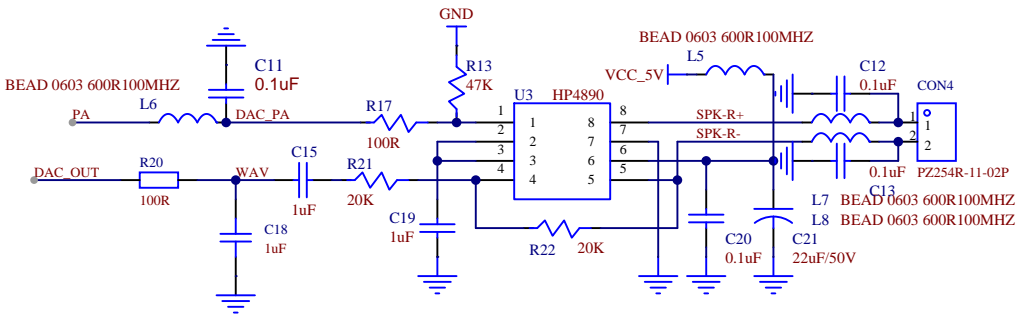
FLASH



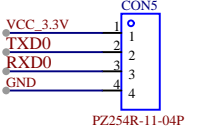
5V to 3.3V



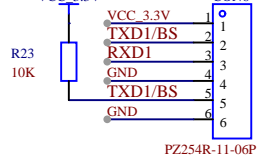
音频电路(Optional)



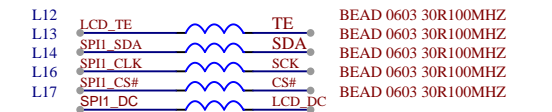
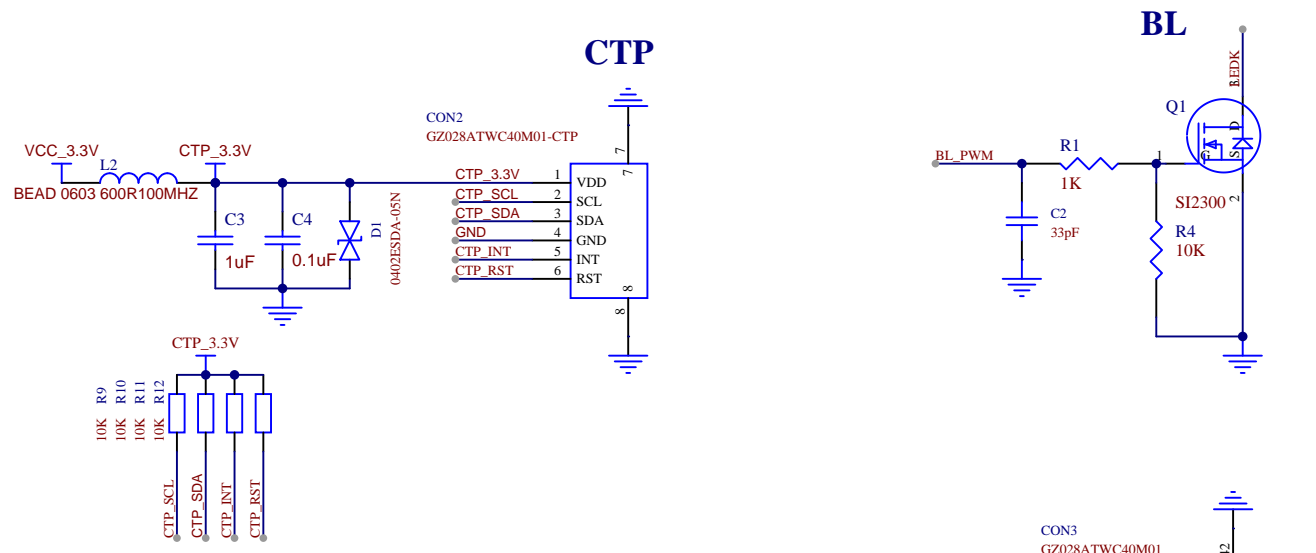
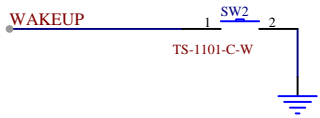
USART0



USART1&BUSY



WAKEUP



Schematic	LT363_Demo_V1.3		Update Date	2026-04-23
Page	LT363_Demo_V1.3		Create Date	2025-12-01
Drawn			Part Number	
Reviewed			 乐升半导体有限公司 LeveTop Semiconductor	
VER	SIZE	PAGE		
V1.1		Levetop Semiconductor.		