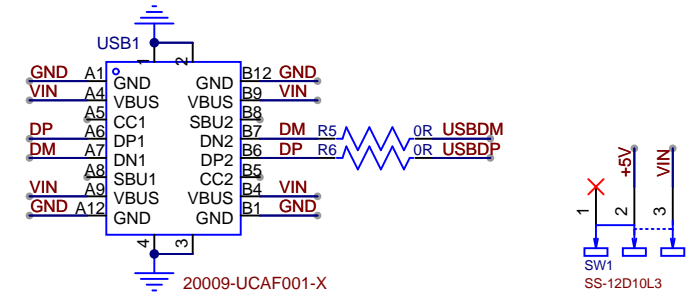
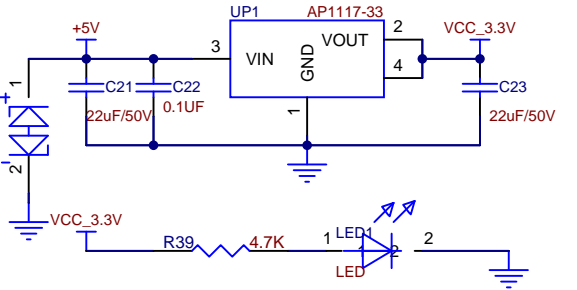


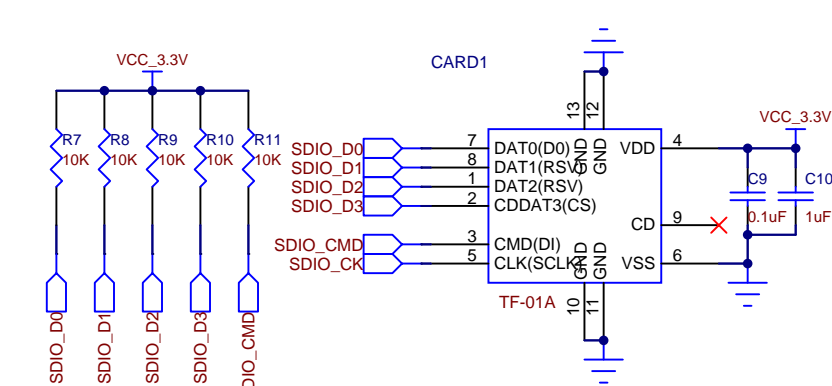
USB



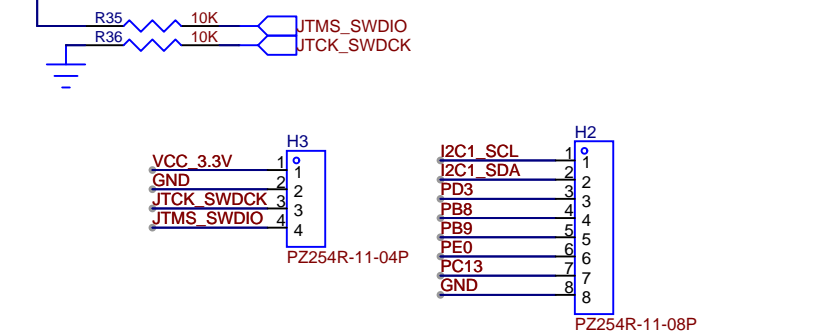
5V To 3V3



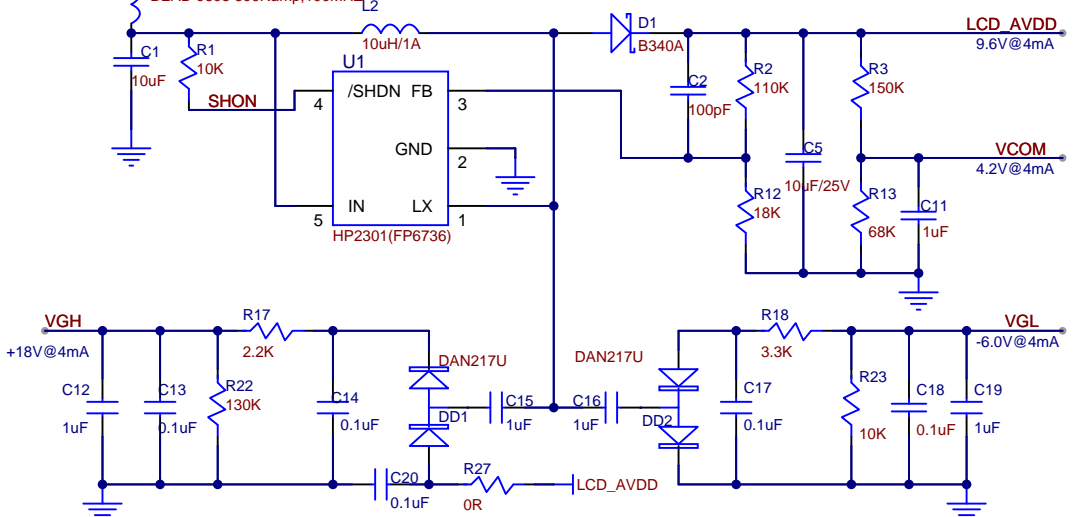
SD-CARD



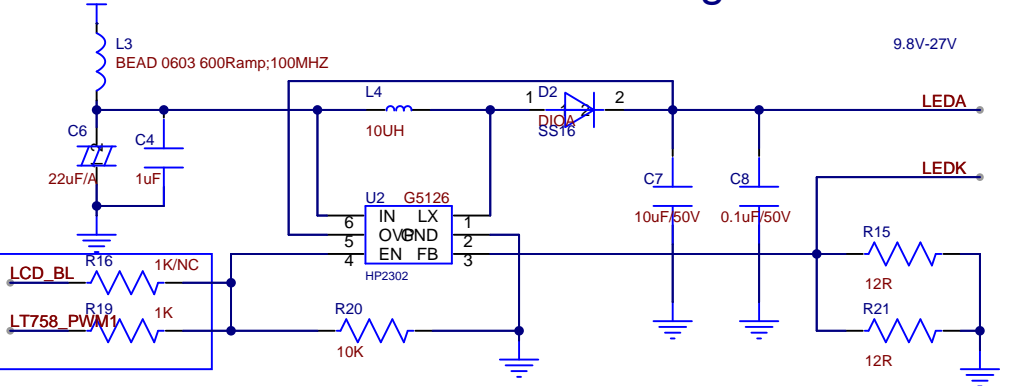
JTAG&SWD



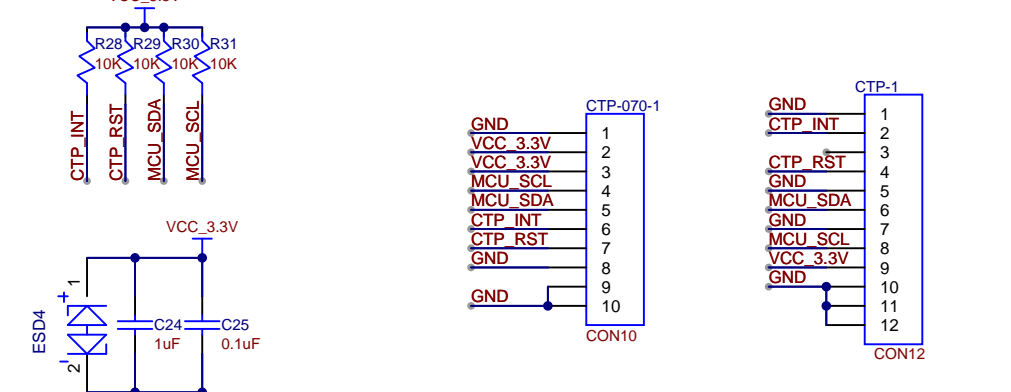
7 Inch VGH,VHL



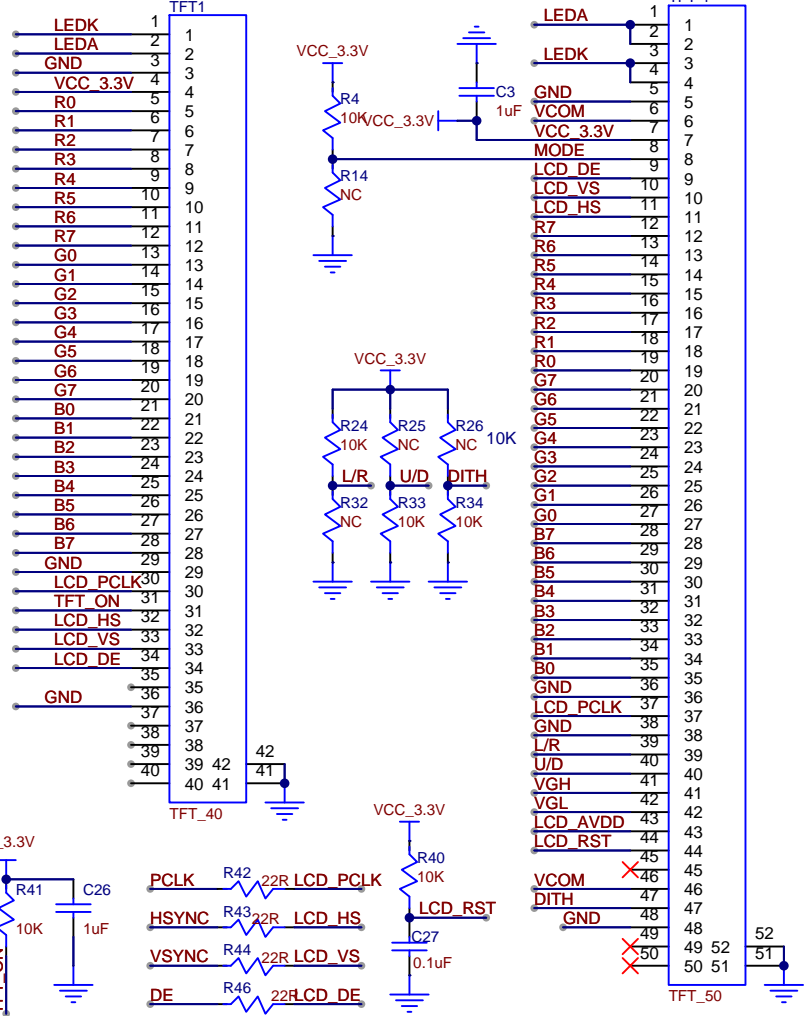
LCD-Backlight



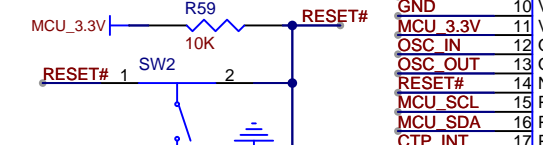
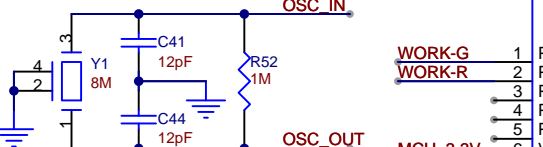
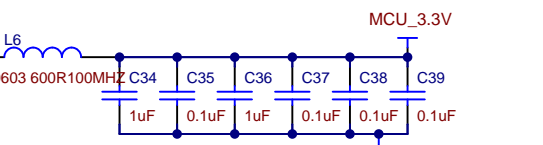
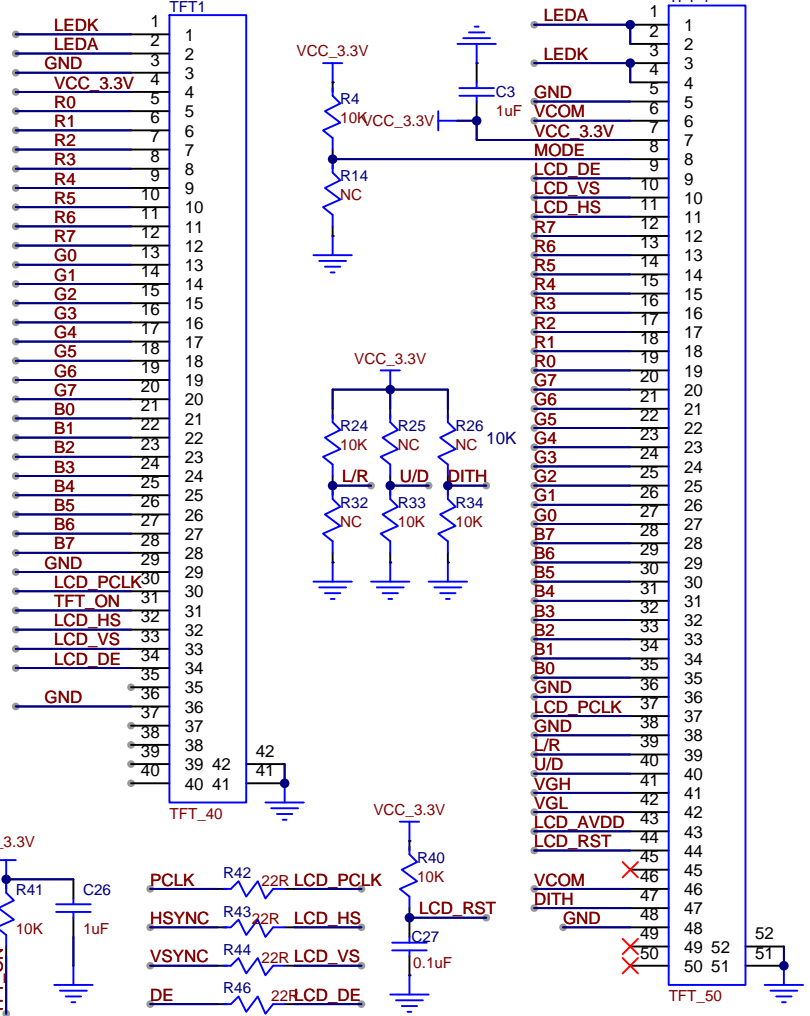
CTP



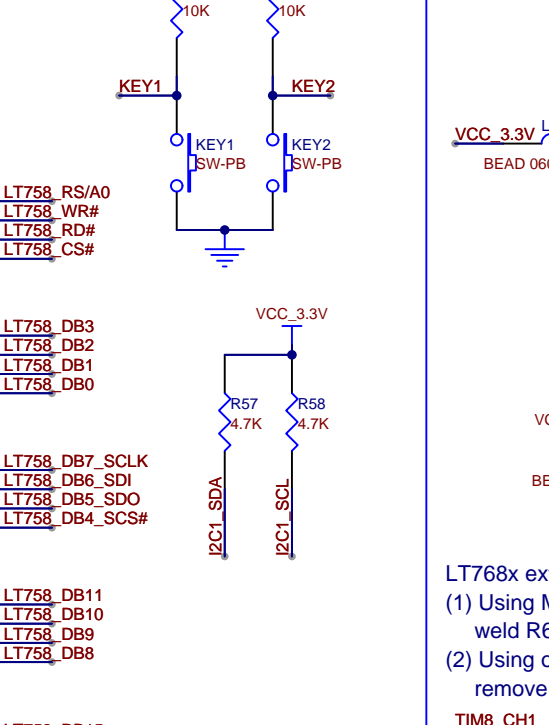
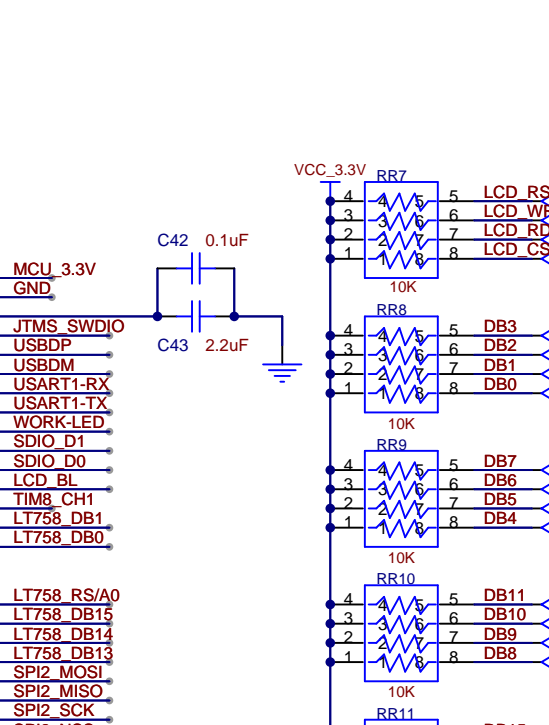
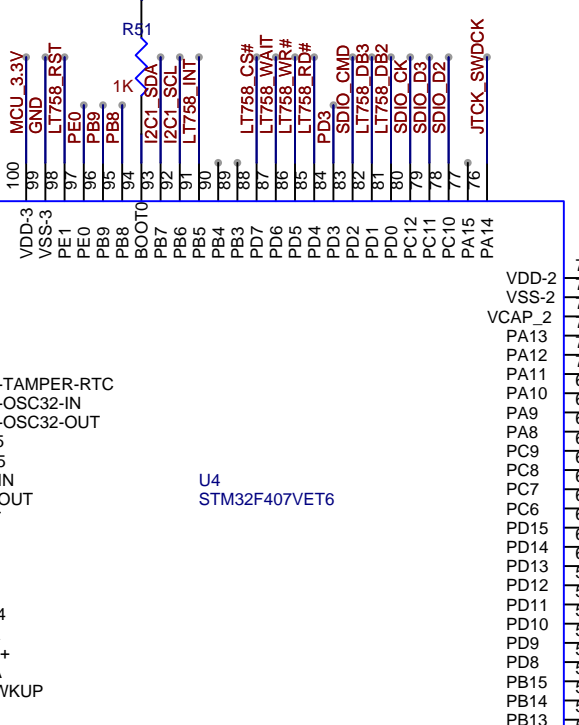
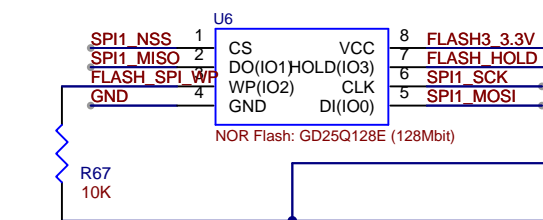
5 Inch



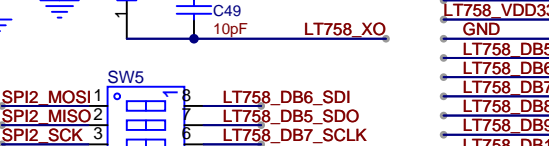
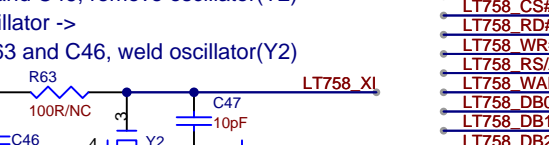
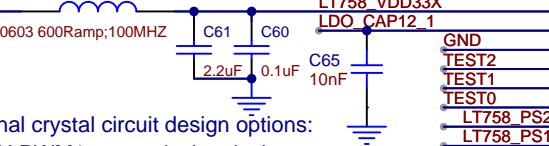
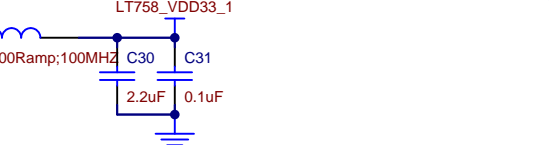
7 Inch



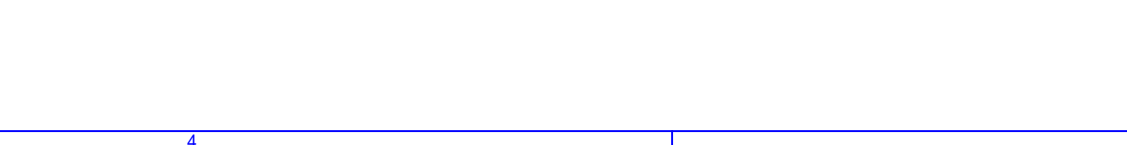
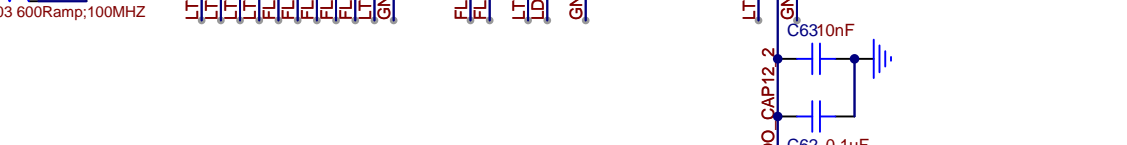
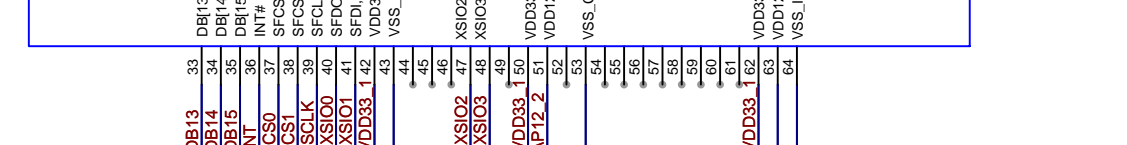
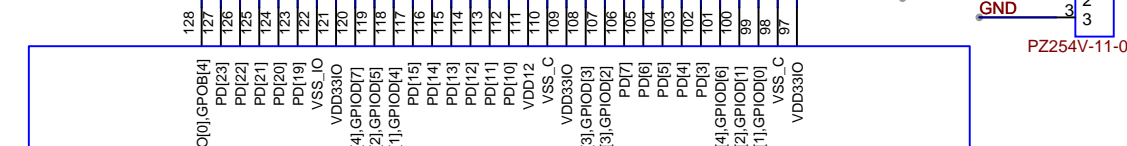
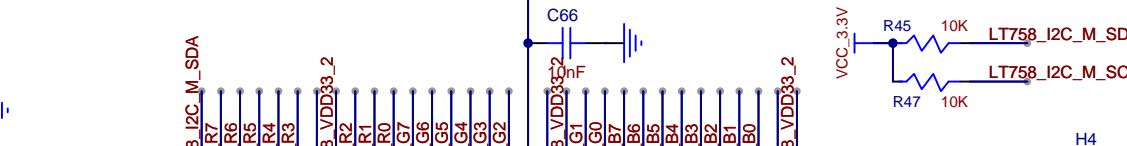
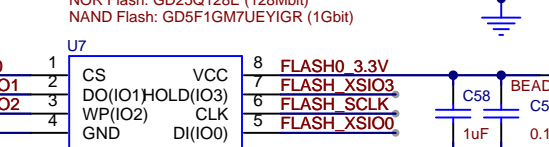
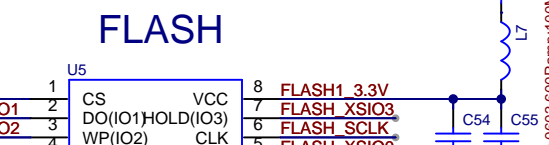
FLASH



LT7586



FLASH



Schematic	LT7586_STM_MAIN_V2.1	Update Date	2025-03-17
Page	LT7586_STM_MAIN_V2.1	Create Date	
Drawn		Part Number	
Reviewed			
VER	SIZE	PAGE	1 OF 1
V2.0		Levetop Semiconductor.	

