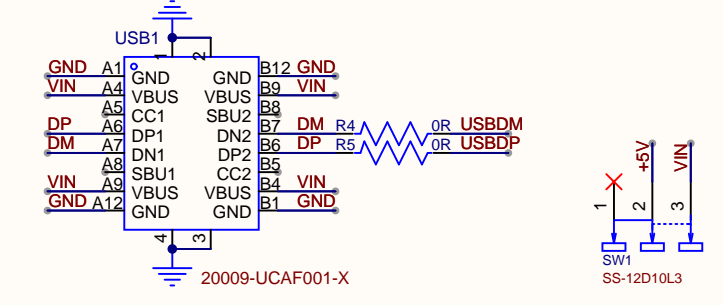
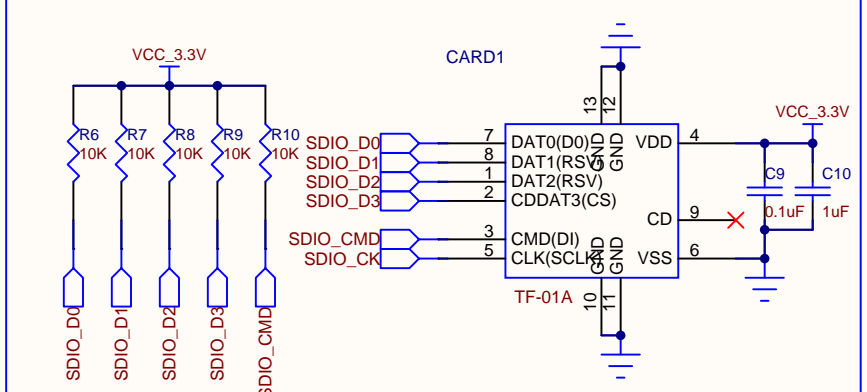


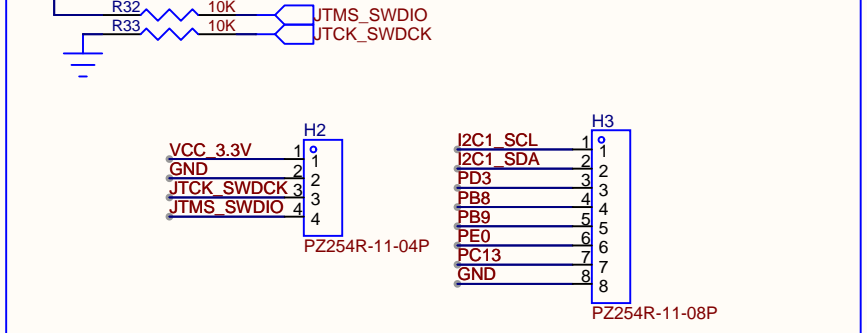
USB



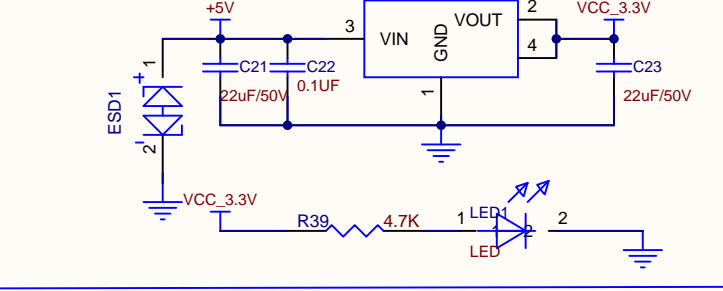
SD-CARD



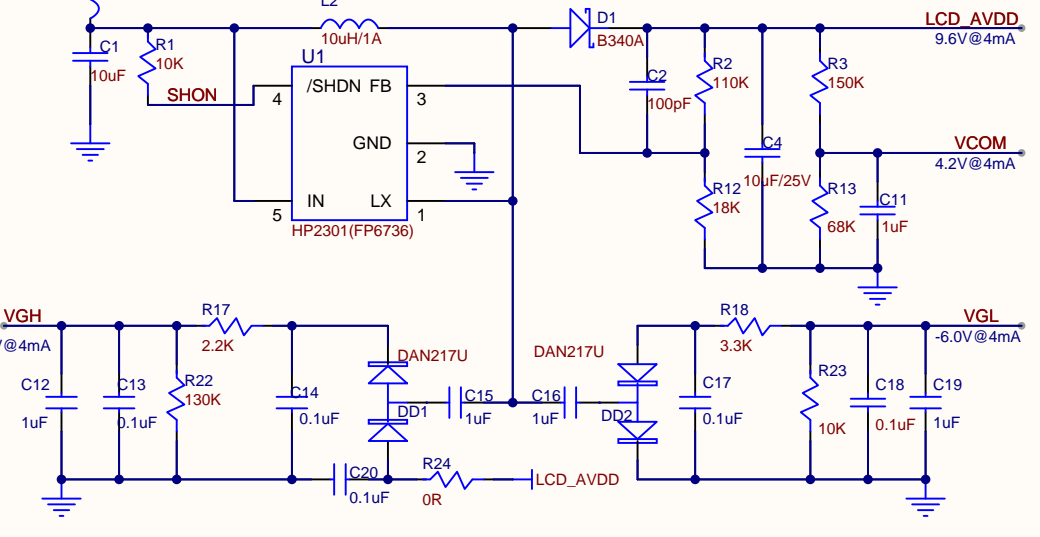
JTAG&SWD



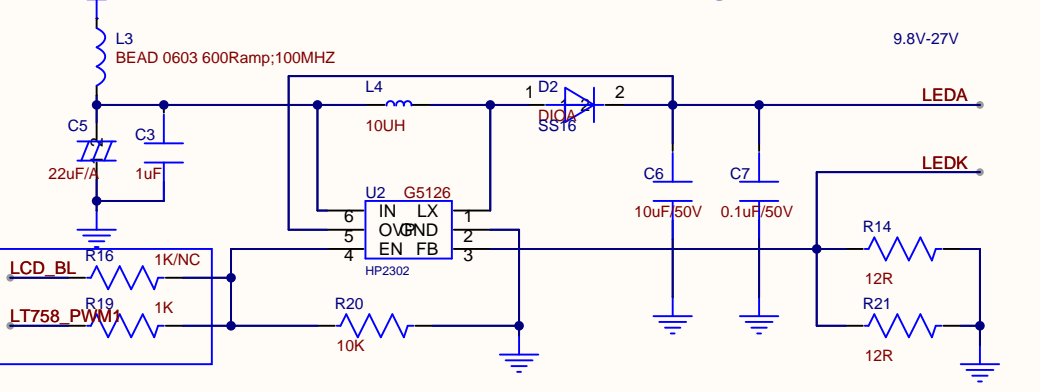
5V To 3V3



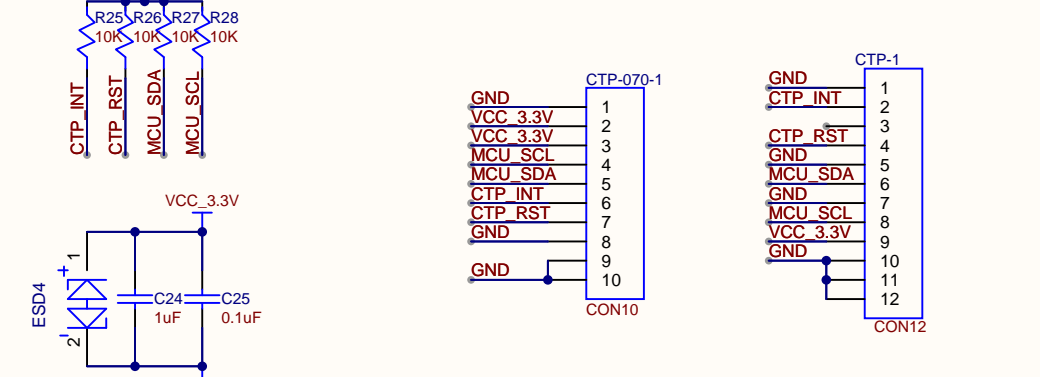
7 Inch VGH,VHL



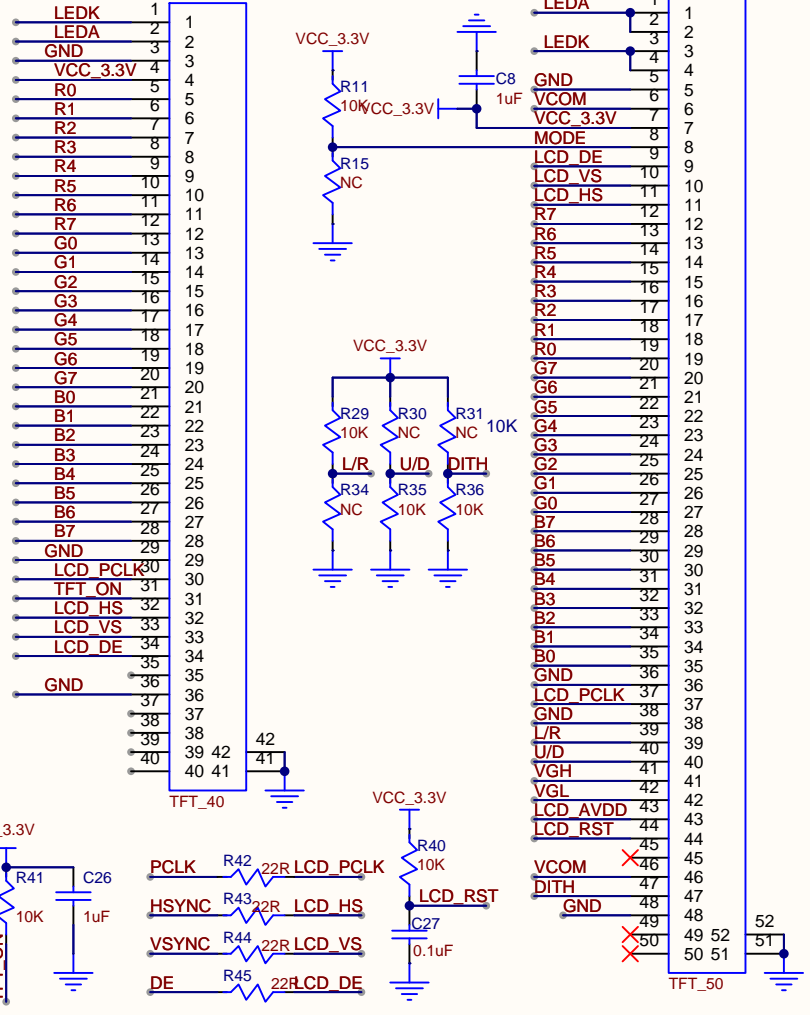
LCD-Backlight



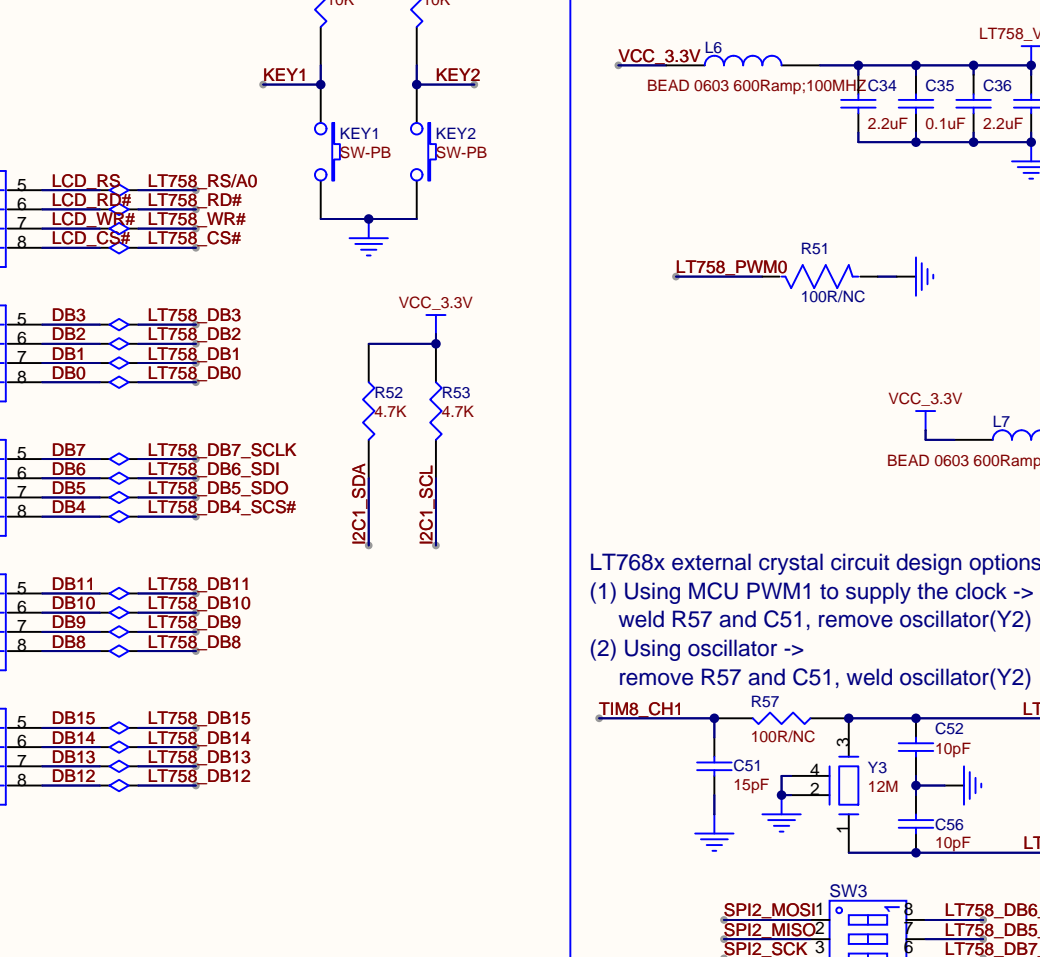
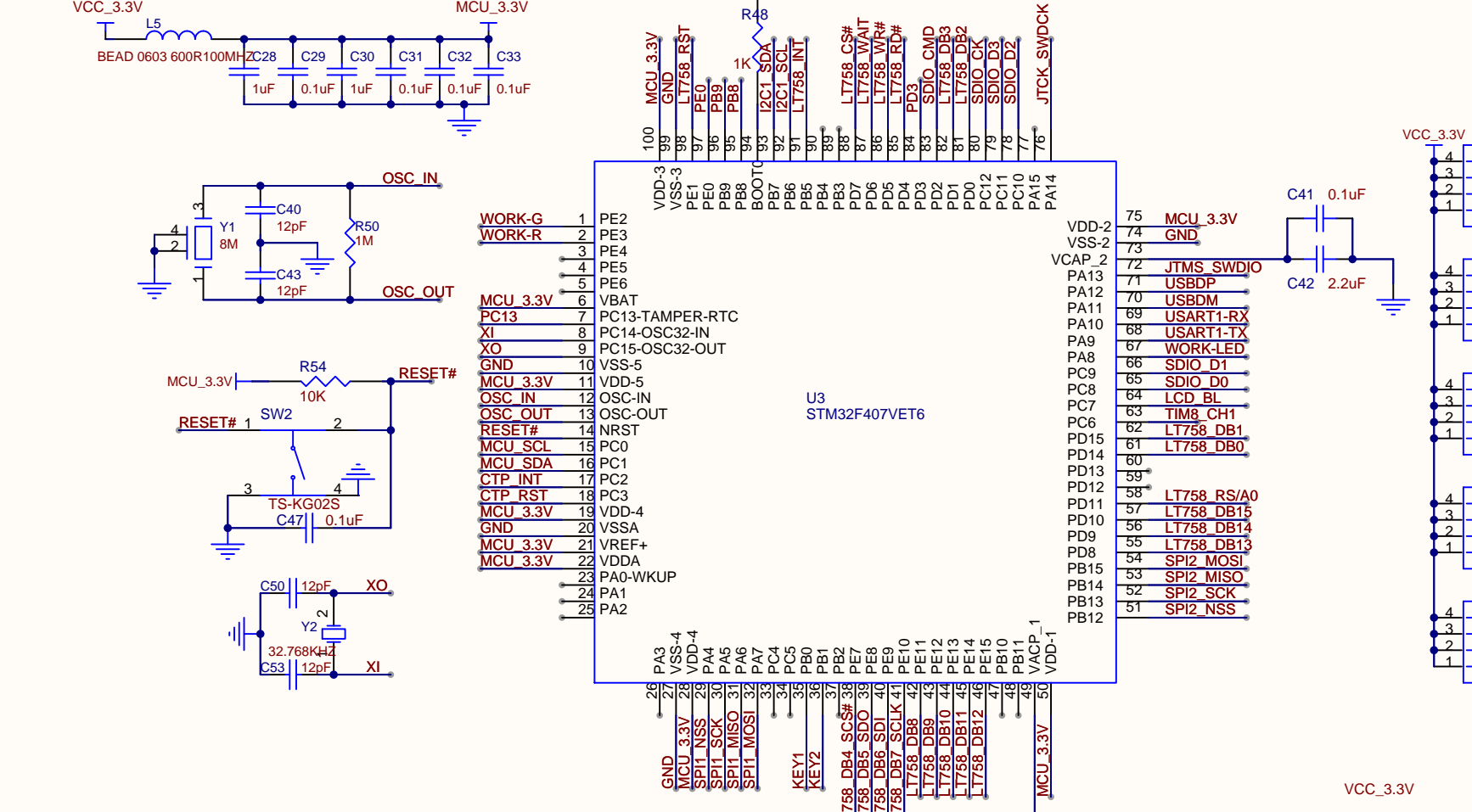
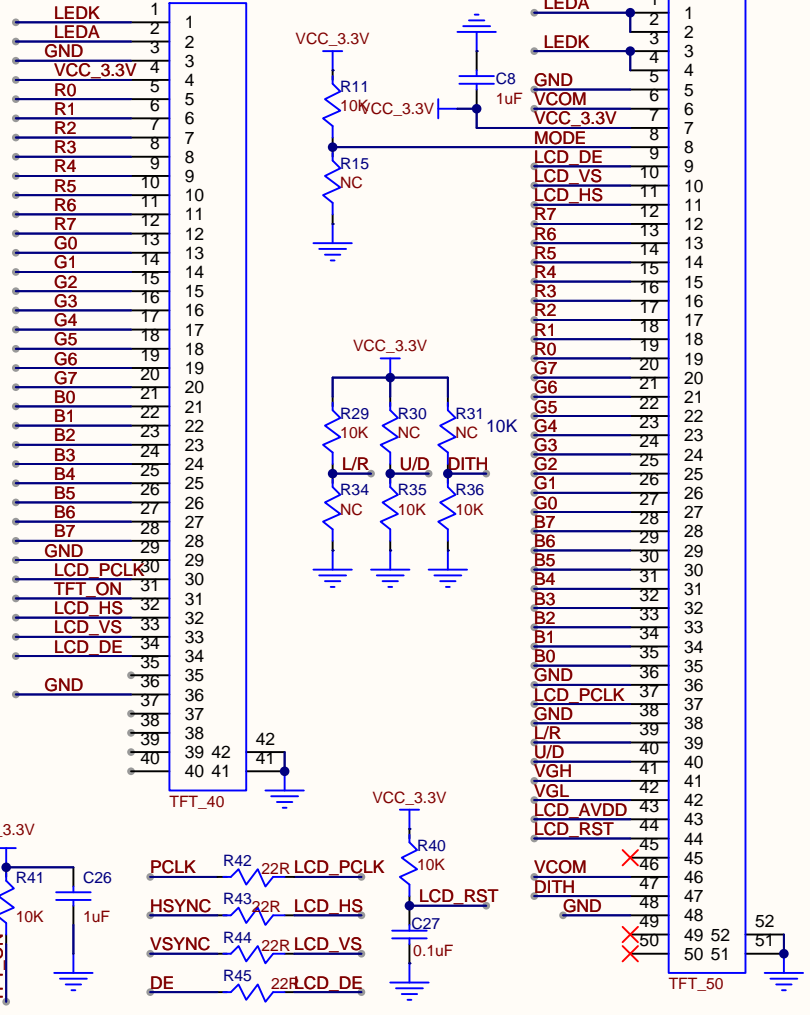
CTP



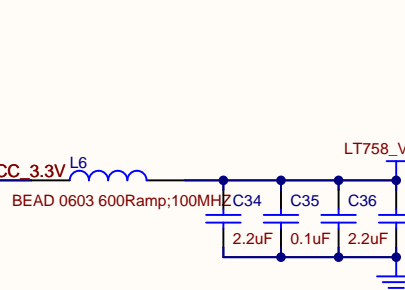
5 Inch



7 Inch

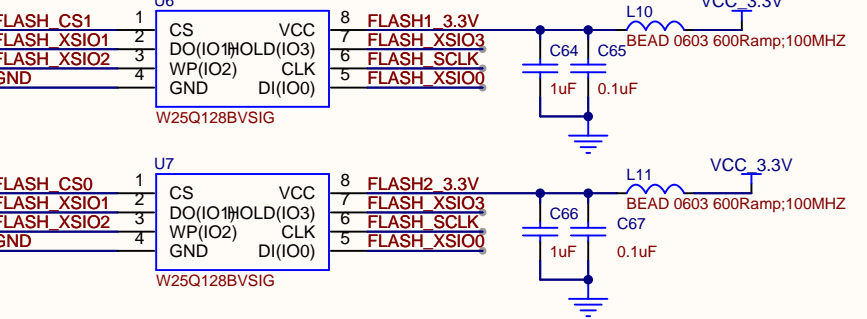


LT7580

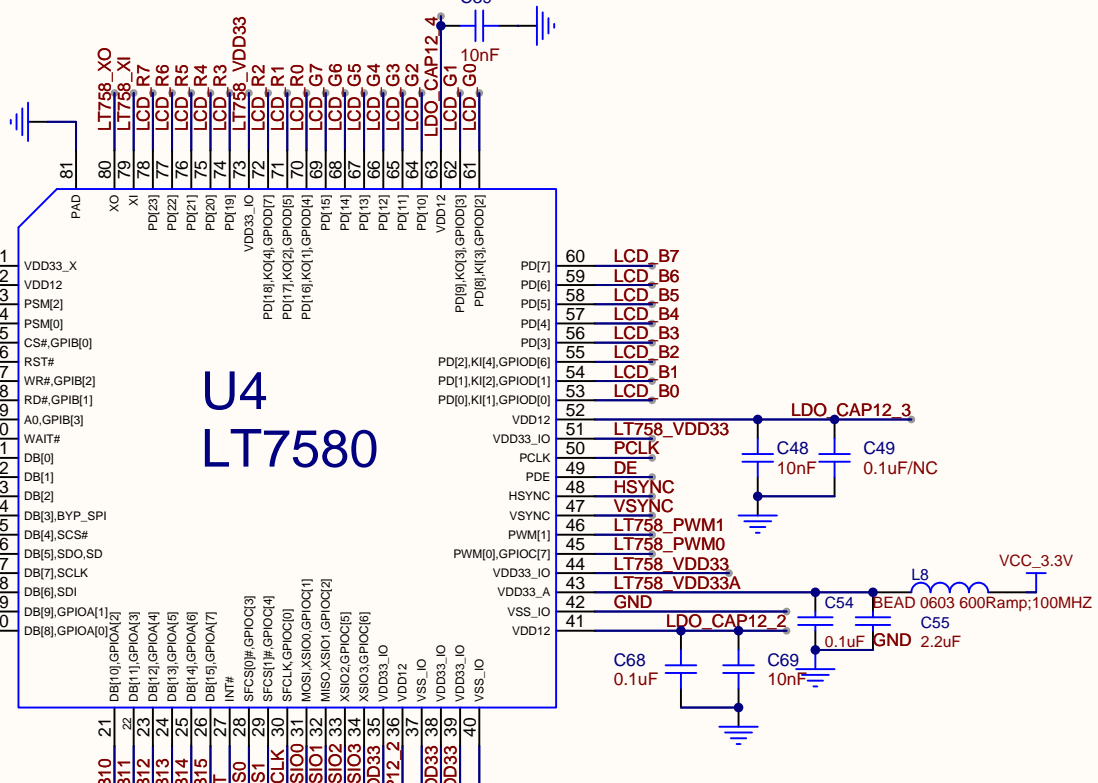


- LT758x external crystal circuit design options:
- (1) Using MCU PWM1 to supply the clock -> weld R57 and C51, remove oscillator(Y2)
- (2) Using oscillator -> remove R57 and C51, weld oscillator(Y2)

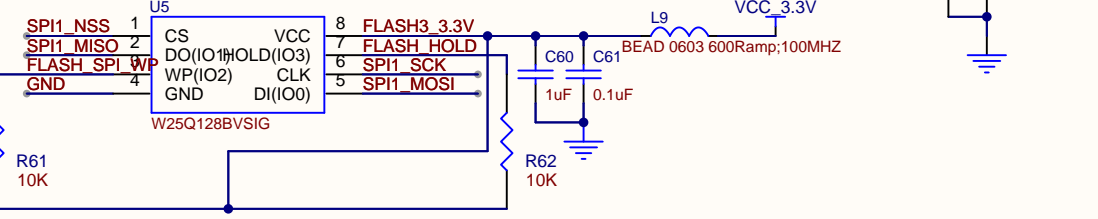
FLASH



U4 LT7580



FLASH



Schematic	STM32F407_LT7580_Demo_V1.0_20240926	Update Date	2024-10-14
Page	STM32F407_LT7580_Demo_V1.0_20240926	Create Date	
Drawn		Part Number	
Reviewed			

