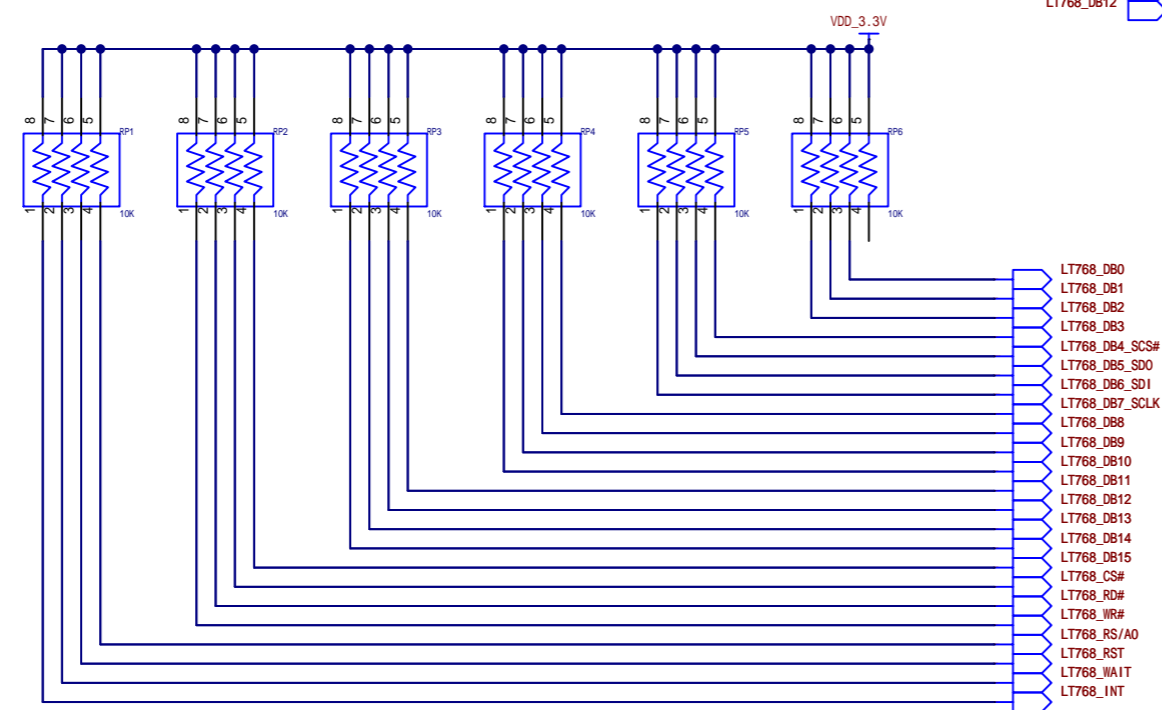
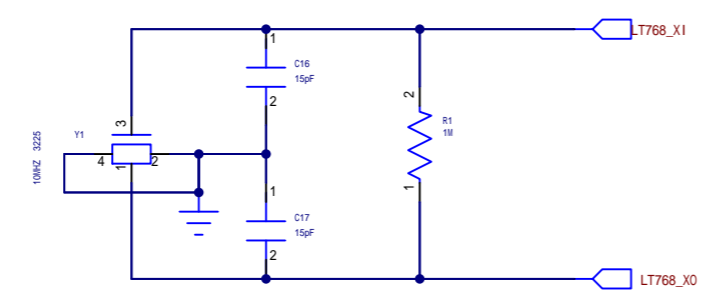
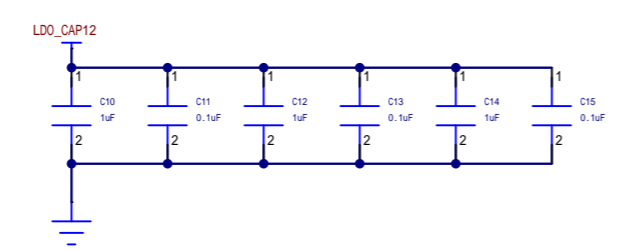
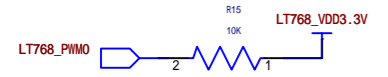
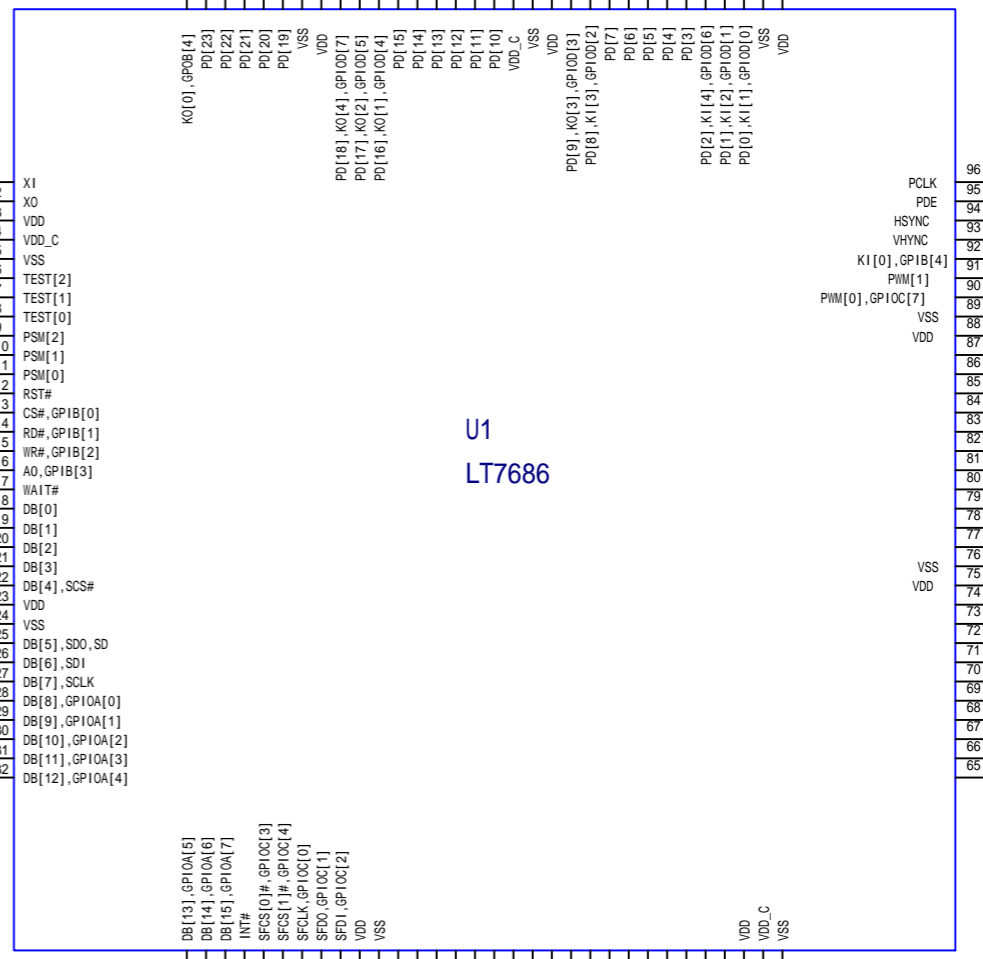


[P. 6/5/4]

00x: 8080
 01x: 6800
 100: 3-wire
 101: 4-wire
 11x: 12C
 0: GND
 1: VDD



- 1 LT768_XI
- 2 LT768_XO
- 3 LT768_VDD3.3V
- 4 LDO_CAP12
- 5 GND
- 6 LT768_TEST[2]
- 7 LT768_TEST[1]
- 8 LT768_TEST[0]
- 9 LT768_PS2
- 10 LT768_PS1
- 11 LT768_PS0
- 12 LT768_RST
- 13 LT768_CS#
- 14 LT768_RD#
- 15 LT768_WR#
- 16 LT768_RS/AO
- 17 LT768_WAIT
- 18 LT768_DB0
- 19 LT768_DB1
- 20 LT768_DB2
- 21 LT768_DB3
- 22 LT768_DB4_SCS#
- 23 LT768_VDD3.3V
- 24 GND
- 25 LT768_DB5_SDO
- 26 LT768_DB6_SDI
- 27 LT768_DB7_SCLK
- 28 LT768_DB8
- 29 LT768_DB9
- 30 LT768_DB10
- 31 LT768_DB11
- 32 LT768_DB12



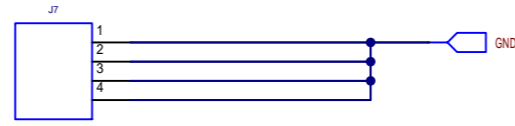
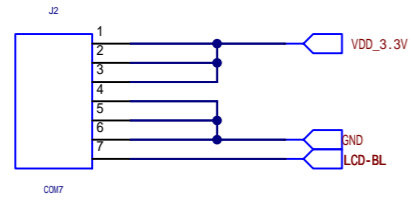
- 128 LT768_I2C_M_SDA
- 127 LCD_R7
- 126 LCD_R6
- 125 LCD_R5
- 124 LCD_R4
- 123 LCD_R3
- 122 GND
- 121 LT768_VDD3.3V
- 120 LCD_R2
- 119 LCD_R1
- 118 LCD_R0
- 117 LCD_G7
- 116 LCD_G6
- 115 LCD_G5
- 114 LCD_G4
- 113 LCD_G3
- 112 LCD_G2
- 111 LDO_CAP12
- 110 GND
- 109 LT768_VDD3.3V
- 108 LCD_G1
- 107 LCD_G0
- 106 LCD_B7
- 105 LCD_B6
- 104 LCD_B5
- 103 LCD_B4
- 102 LCD_B3
- 101 LCD_B2
- 100 LCD_B1
- 98 LCD_B0
- 97 GND
- 96 LT768_VDD3.3V

- 96 LCD_PCLK
- 95 LCD_DE
- 94 LCD_HSYNC
- 93 LCD_VSYNC
- 92 LT768_I2C_M_SCL
- 91 LT768_PWM1
- 90 LT768_PWM0
- 88 GND
- 87 LT768_VDD3.3V
- 86
- 85
- 84
- 83
- 82
- 81
- 80
- 79
- 78
- 77
- 76 GND
- 75 LT768_VDD3.3V
- 74
- 73
- 72
- 71
- 70
- 69
- 68
- 67
- 66
- 65

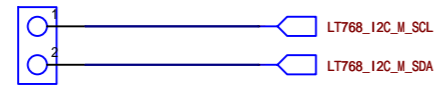
- 33 DB[13],GPIOA[5]
- 34 DB[14],GPIOA[6]
- 35 DB[15],GPIOA[7]
- 36 INT#
- 37 SFCSS[0]#,GPIOC[3]
- 38 SFCSS[1]#,GPIOC[4]
- 39 SFCLK,GPIOC[0]
- 40 SFDU,GPIOC[1]
- 41 FLASH_SPI_S1
- 42 FLASH_SPI_S0
- 43 LT768_VDD3.3V
- 44 GND
- 45
- 46
- 47
- 48
- 49
- 50
- 51
- 52
- 53
- 54
- 55
- 56
- 57
- 58
- 59
- 60
- 61
- 62 VDD
- 63 LDO_CAP12
- 64 VDD_C
- VSS

- 62 VDD
- 63 LDO_CAP12
- 64 VDD_C
- VSS

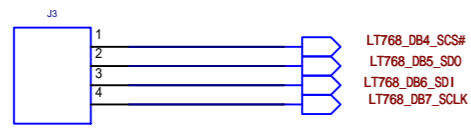
VDD3.3V



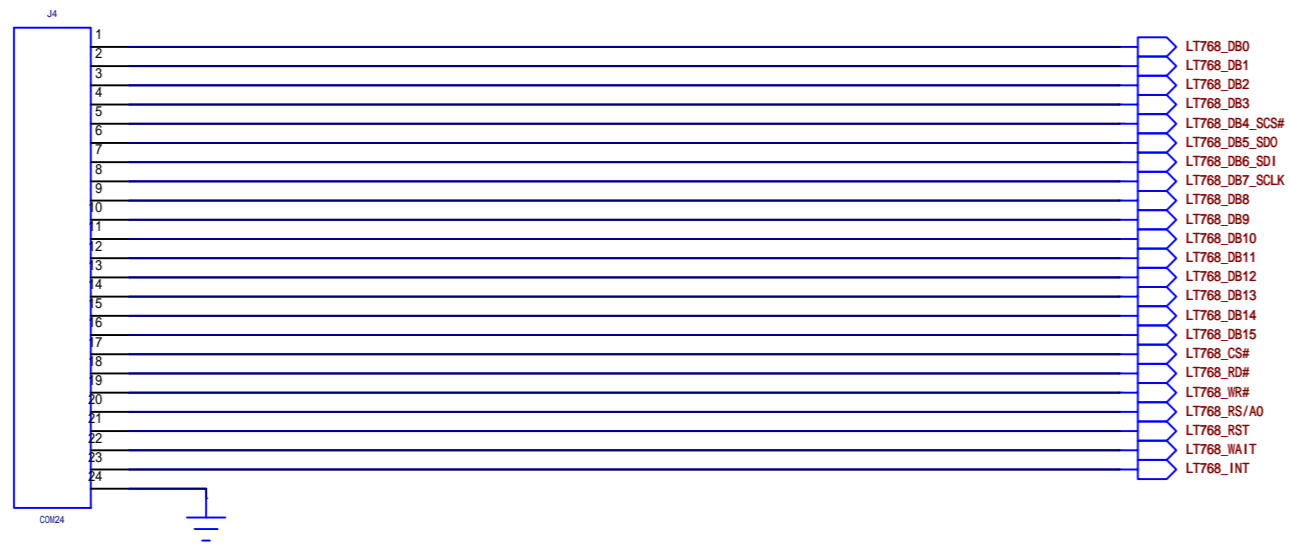
I2C

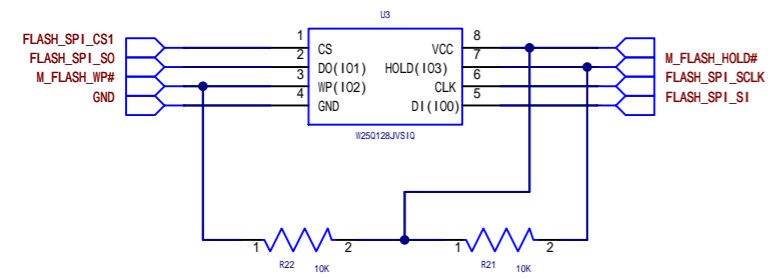
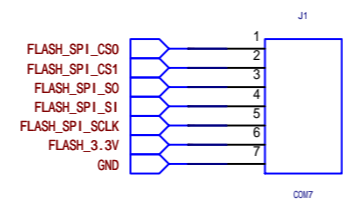
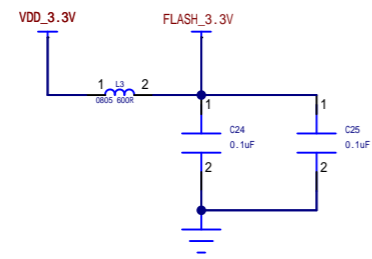


4 SPI

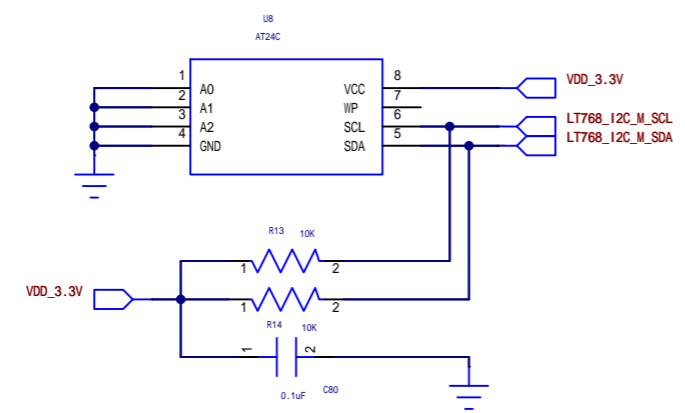
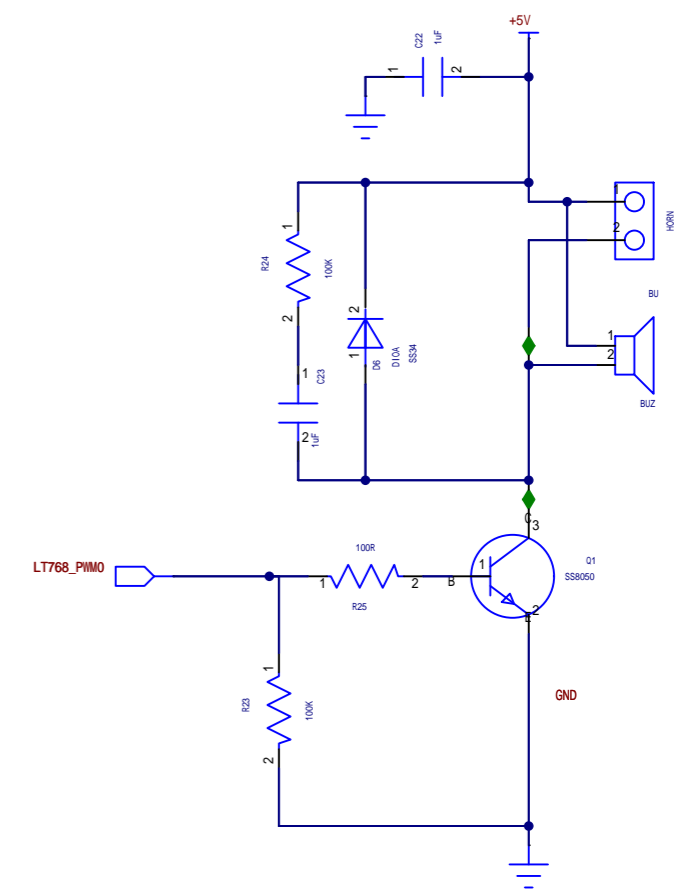
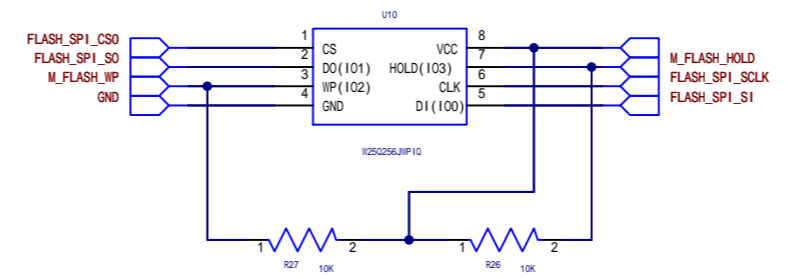


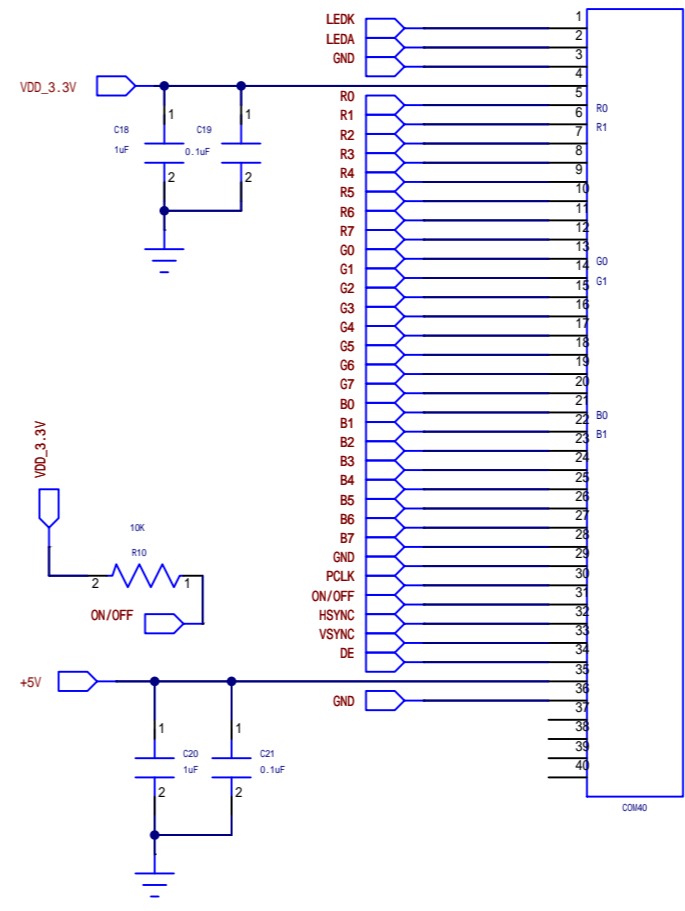
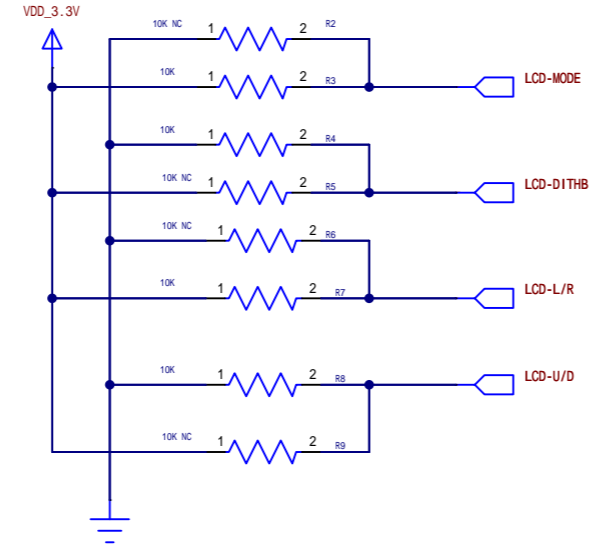
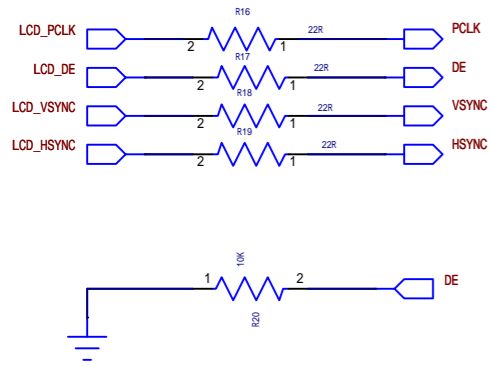
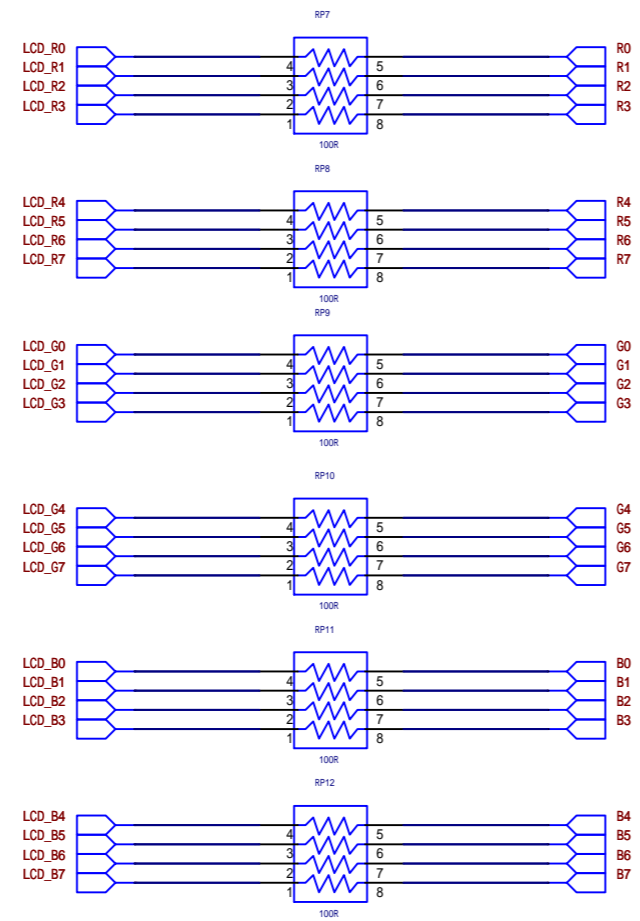
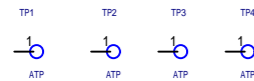
LPT 16BIT





PCB layout时, FLASH应离LT7686尽量近





LCD interface display

