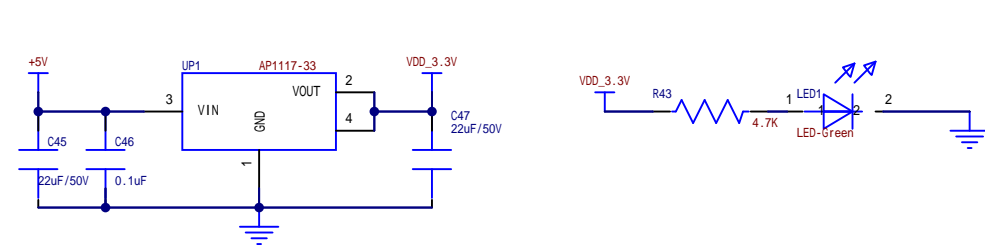
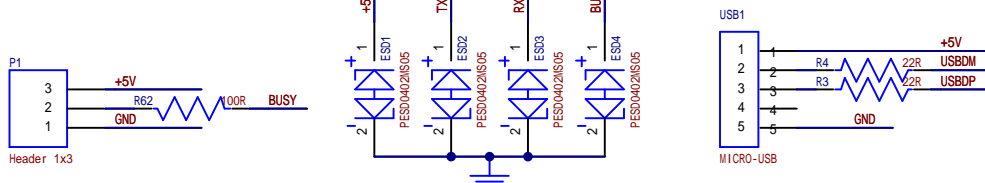


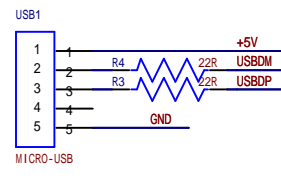
### 5V TO 3.3V



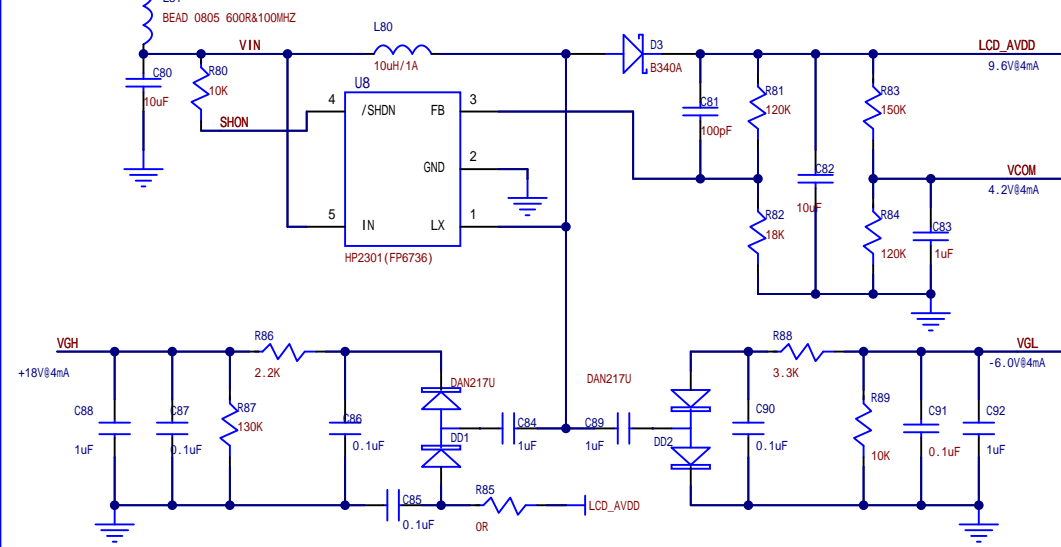
### BUSY



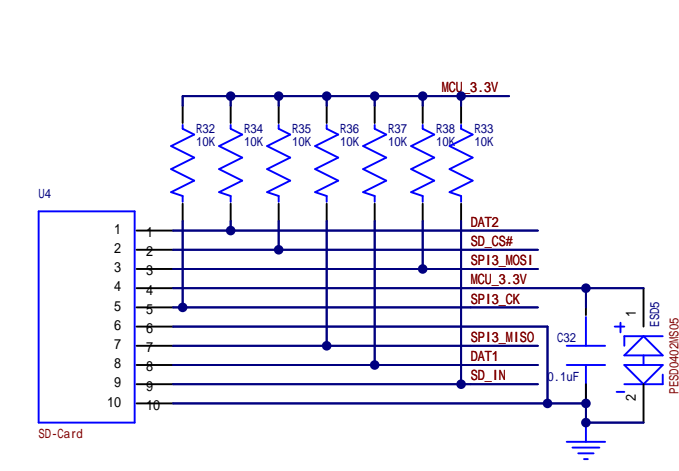
### USB



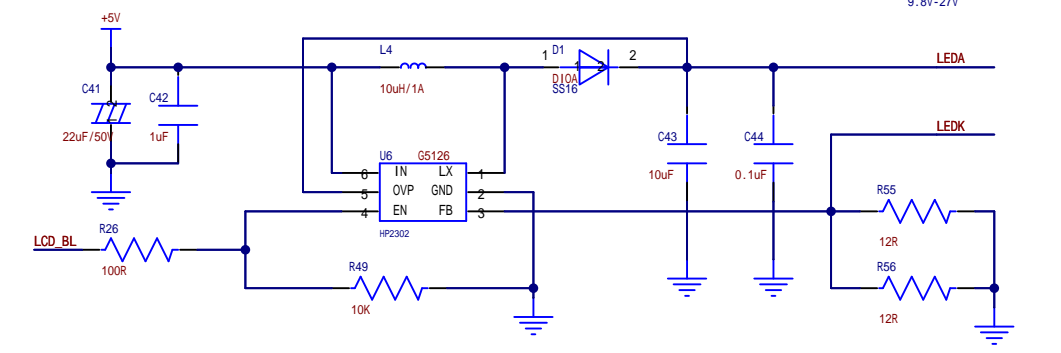
### 7Inch VGH, VHL



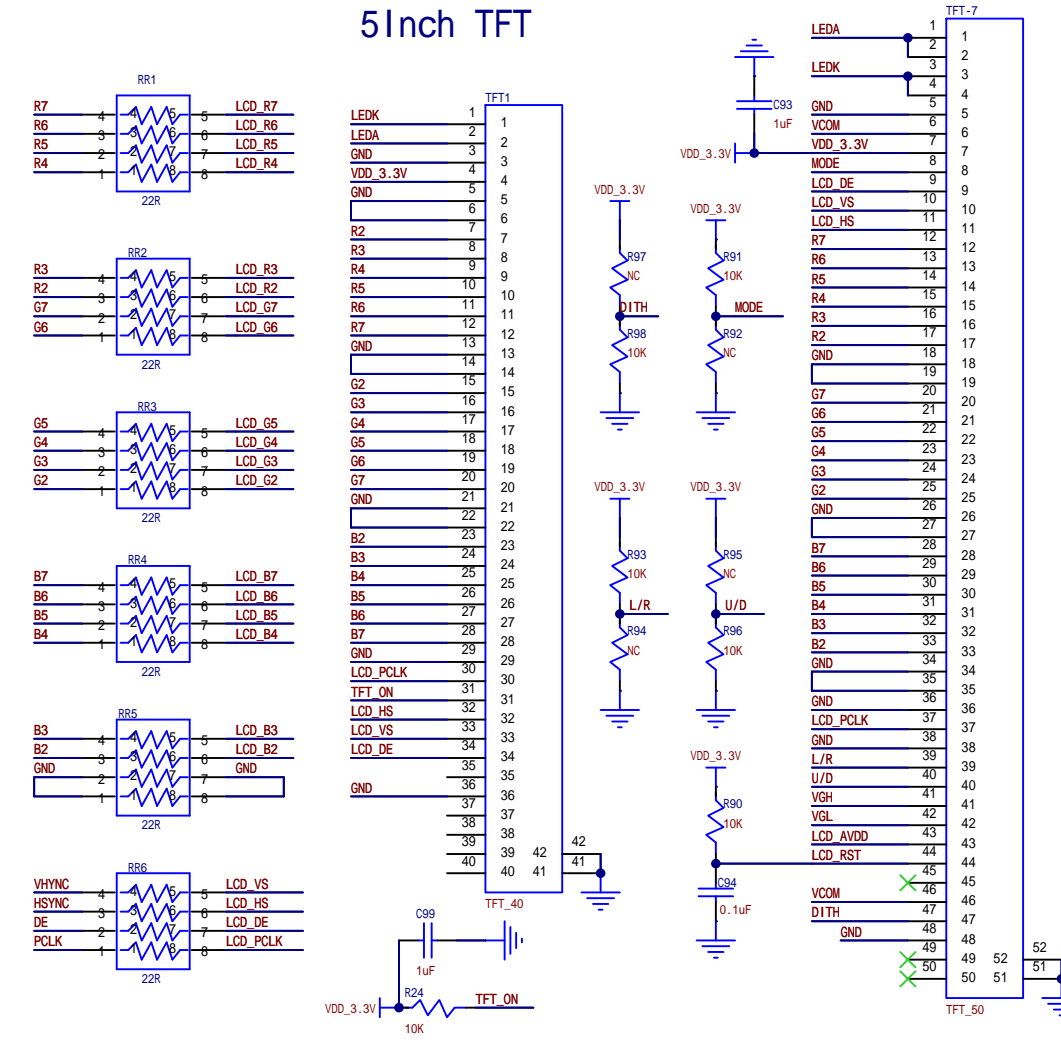
### SD CARD



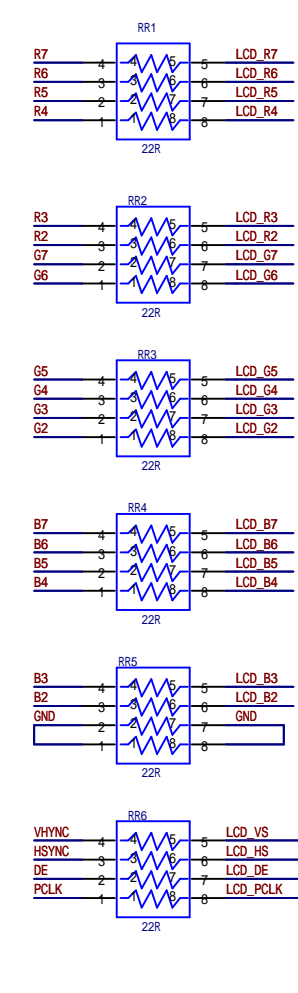
### LCD Back light



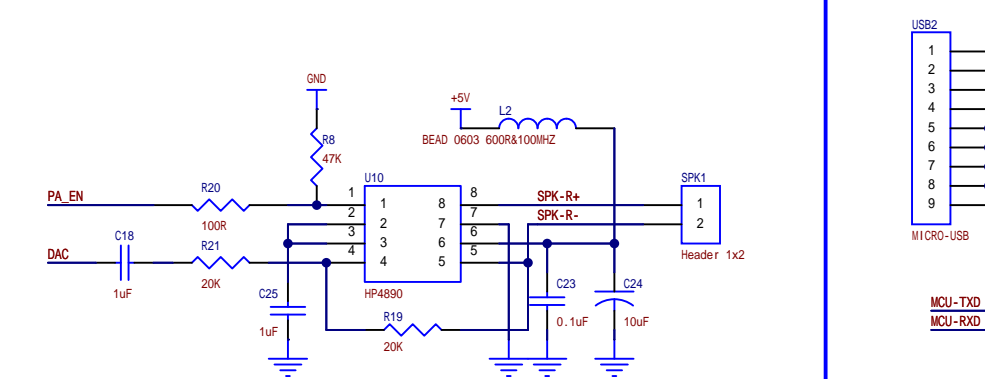
### 7Inch TFT



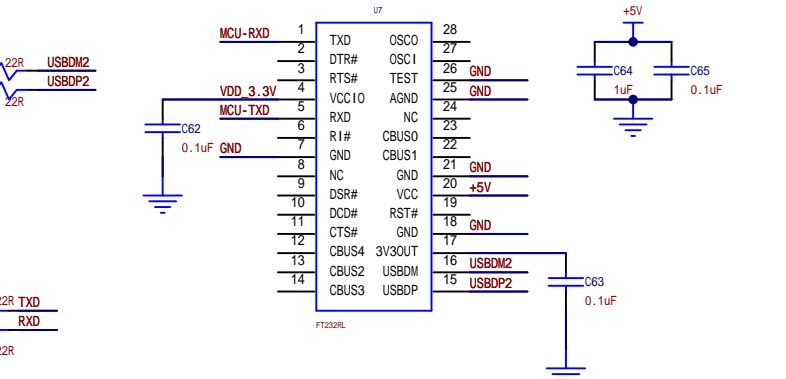
### 5Inch TFT



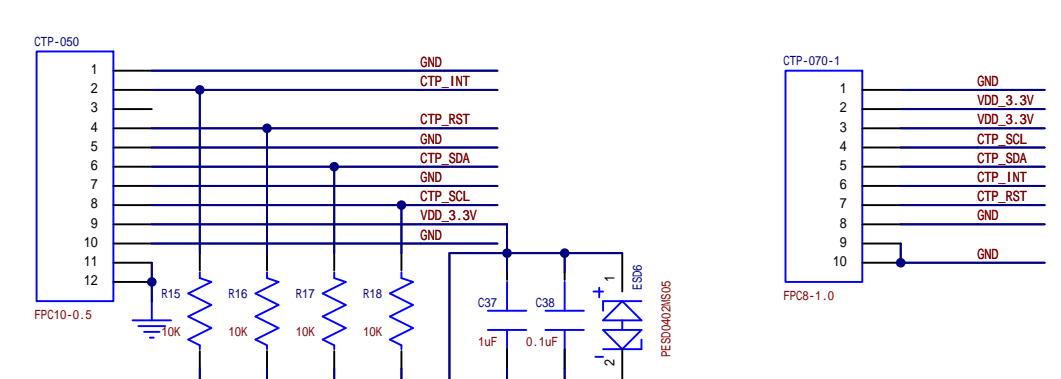
### SPK



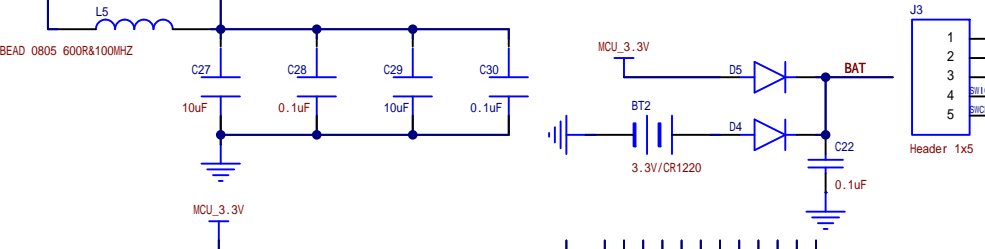
### FT232L



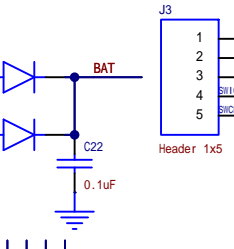
### CTP



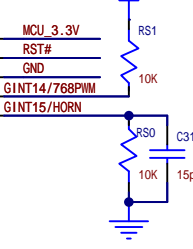
### LT32U03



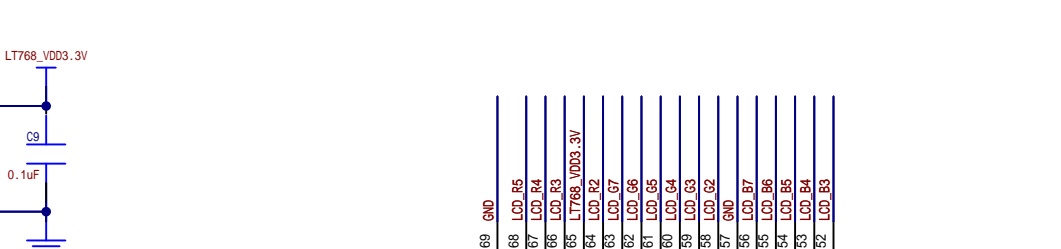
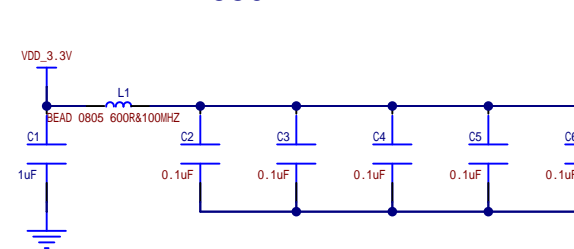
### RTC



### SWD

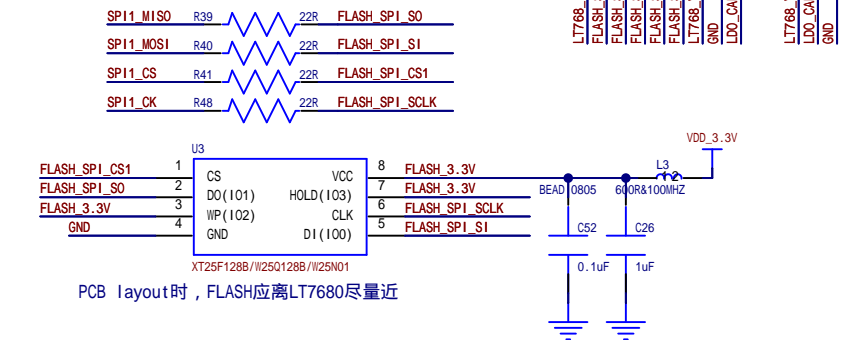


### LT7680



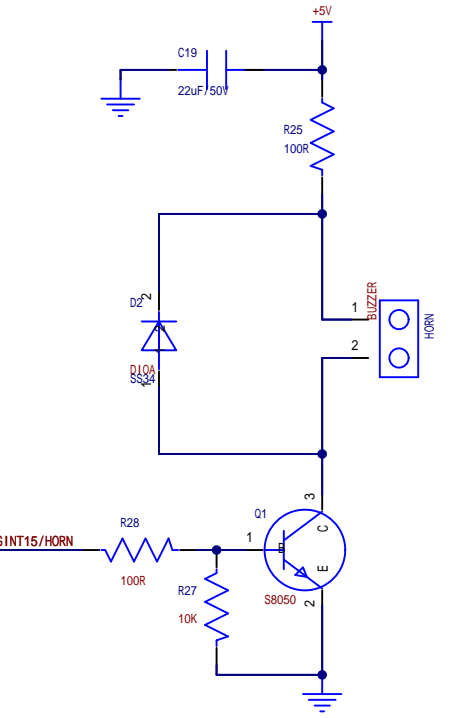
LT768x external crystal circuit design options:  
 (1) Using MCU PIM to supply the clock -> weld R12 and C16, remove oscillator(Y2)  
 (2) Using oscillator -> remove R12 and C16, weld oscillator(Y2)

### FLASH



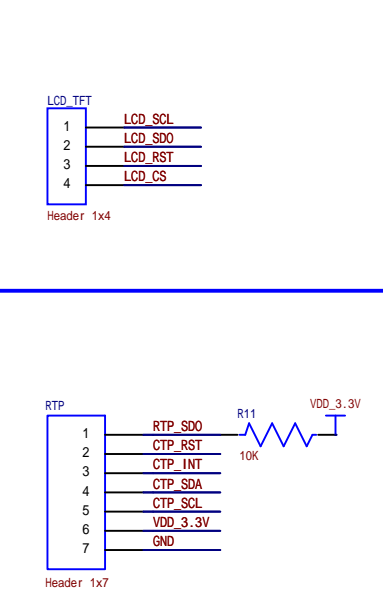
PCB layout时, FLASH应离LT7680尽量近

### HORN



When use SWD, remove R28

### LCD SPI Initialization



### Vector Font

