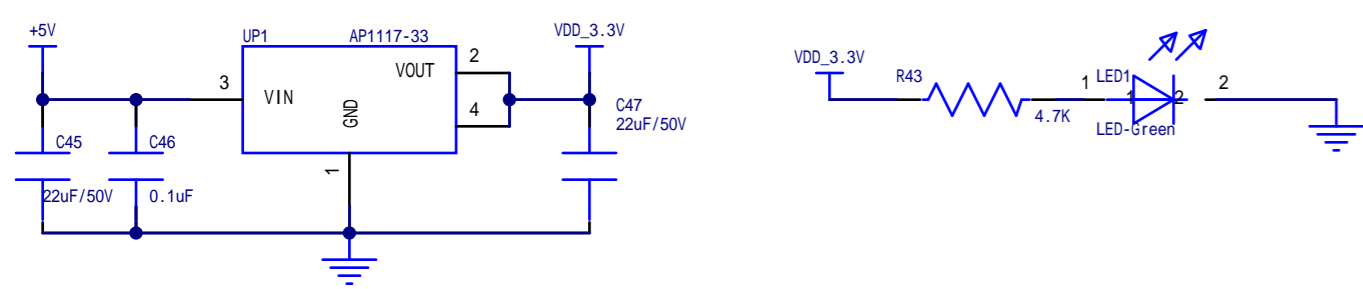
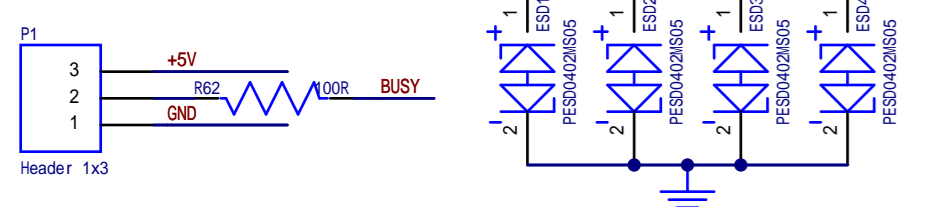


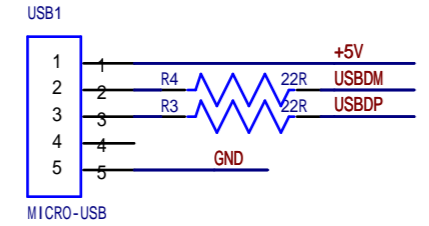
### 5V TO 3.3V



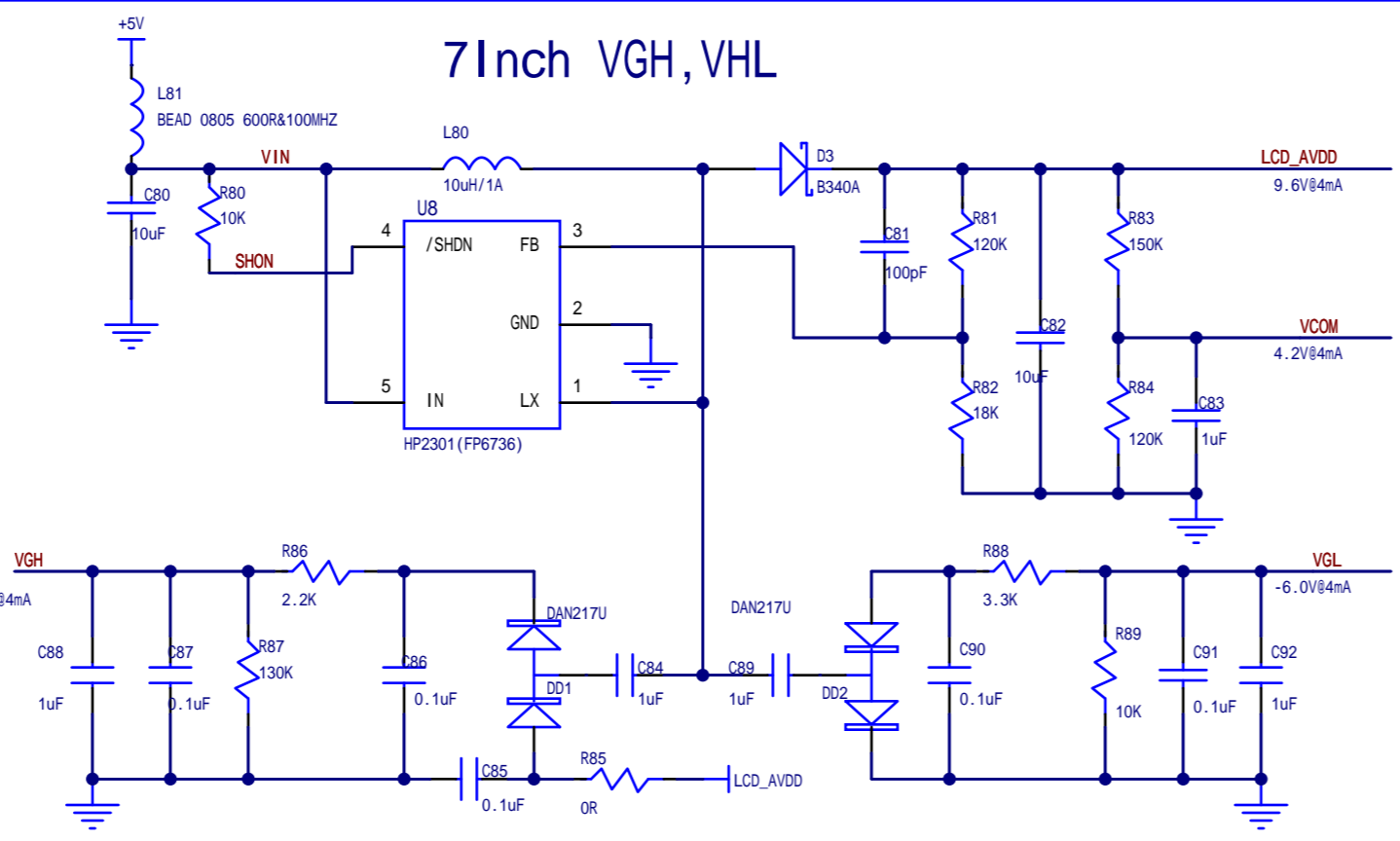
### BUSY



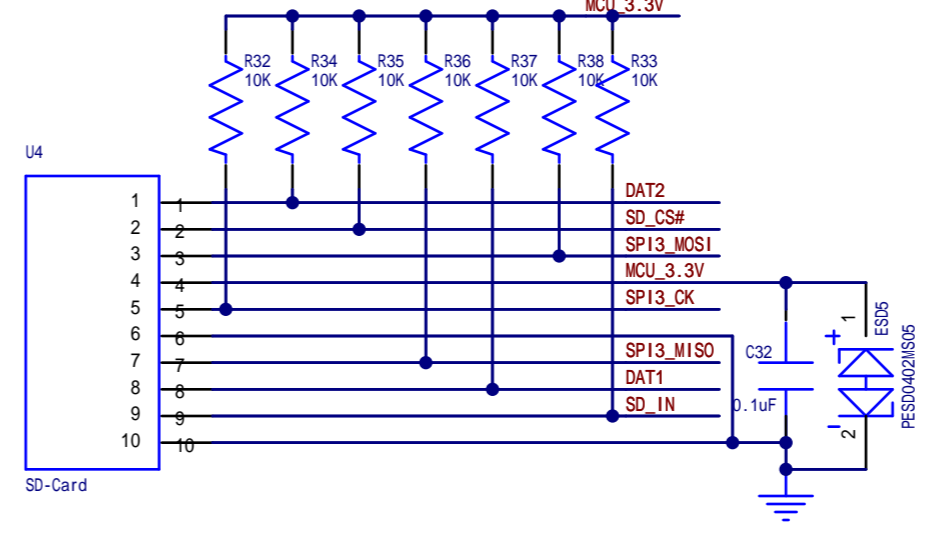
### USB



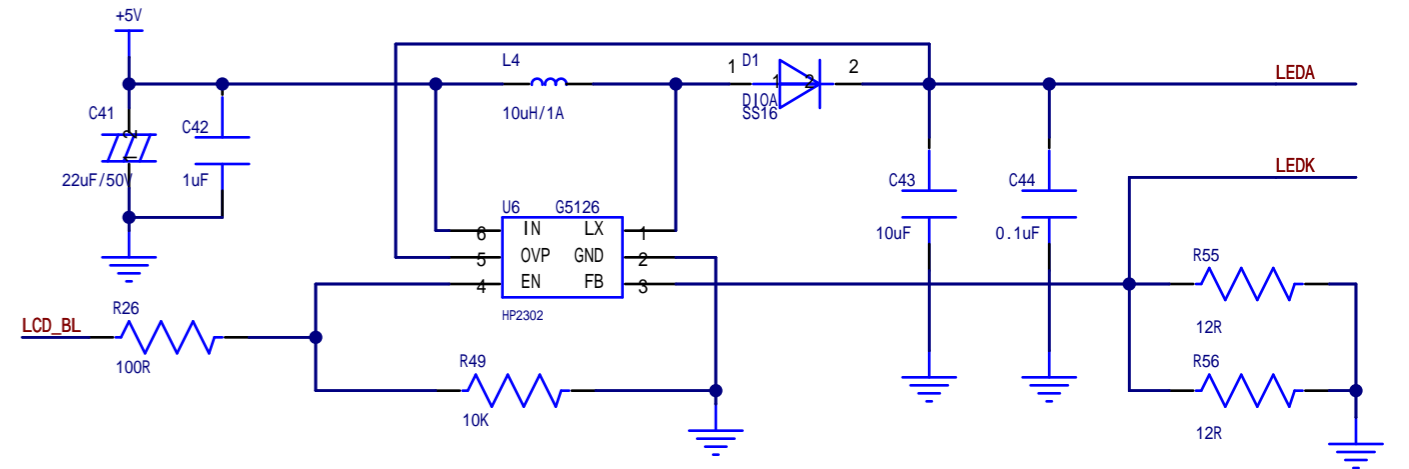
### 7Inch VGH,VHL



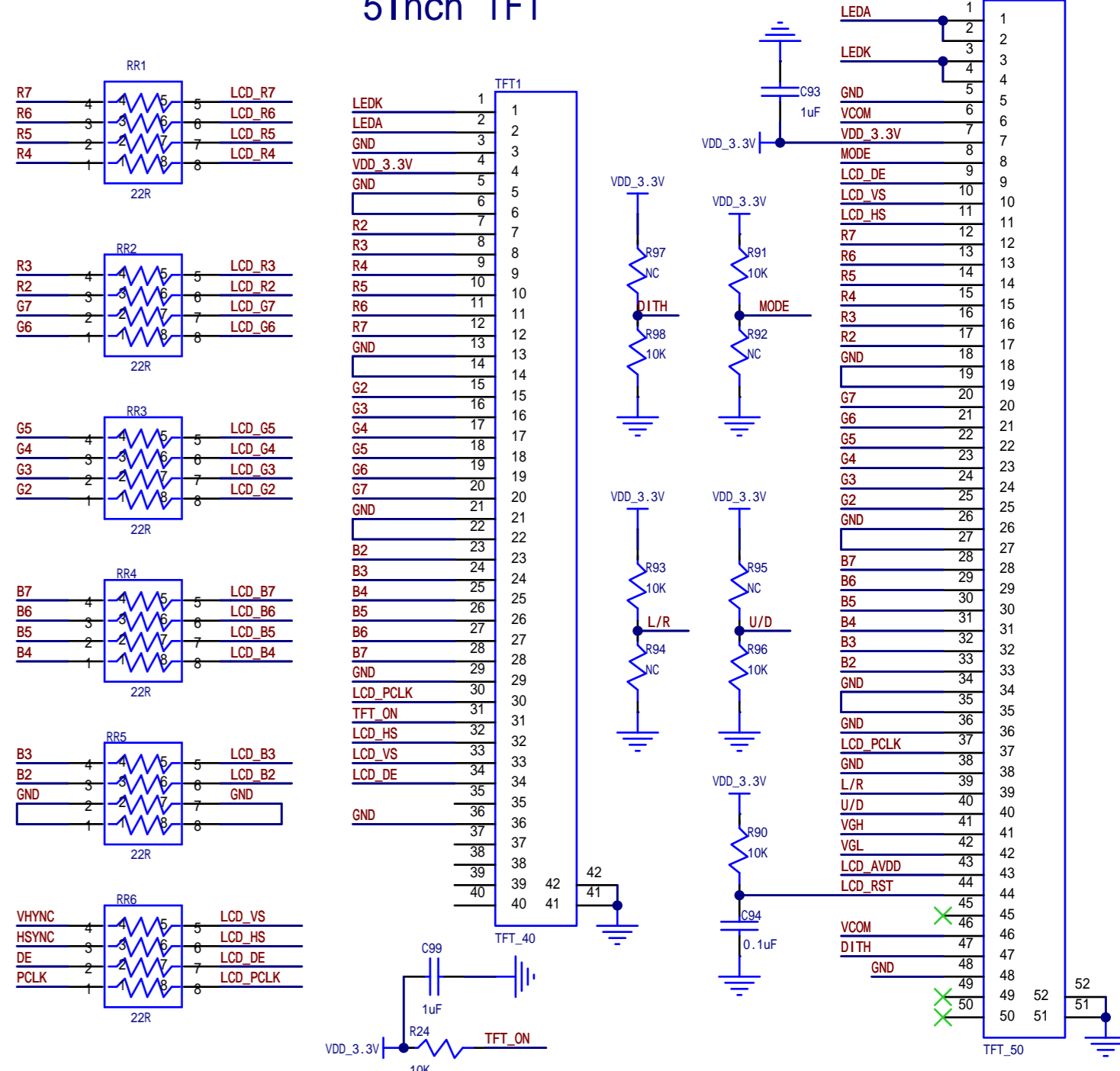
### SD CARD



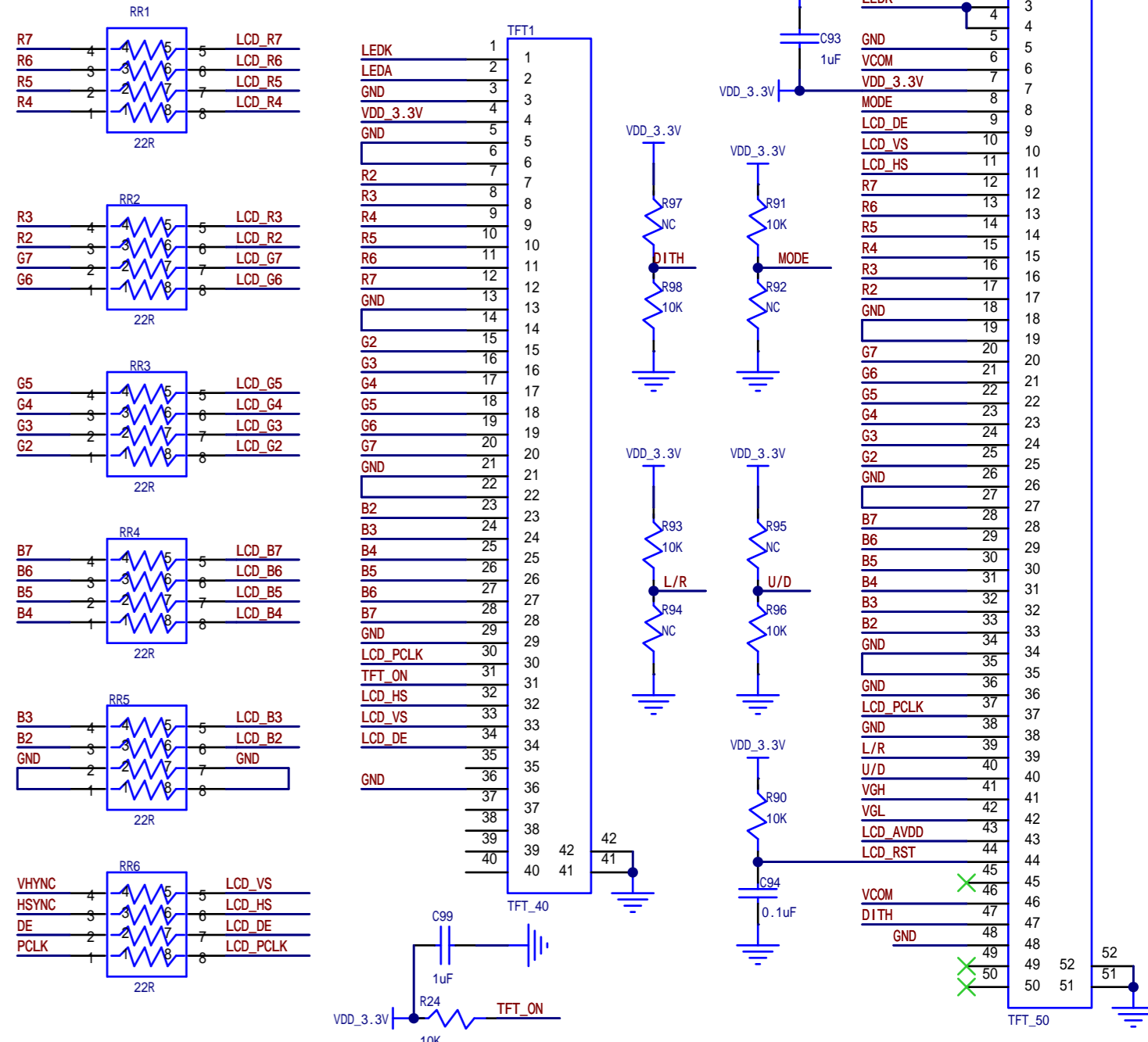
### LCD BackLight



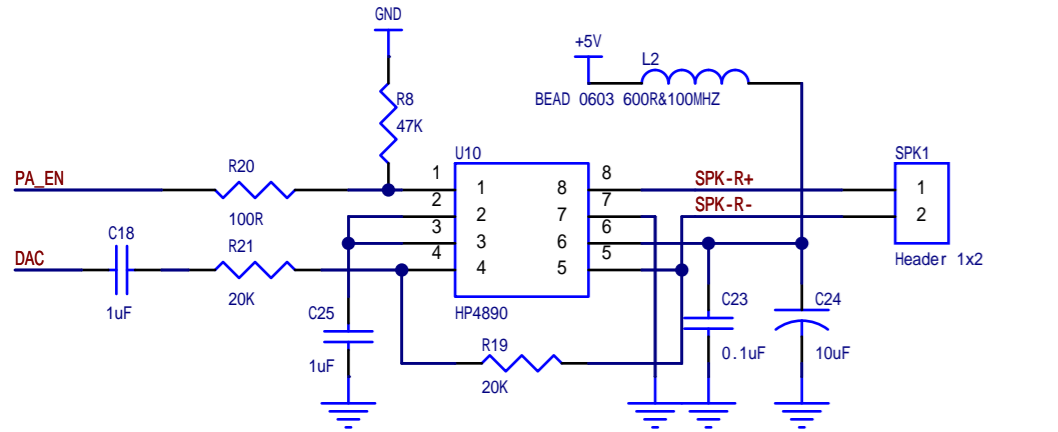
### 7Inch TFT



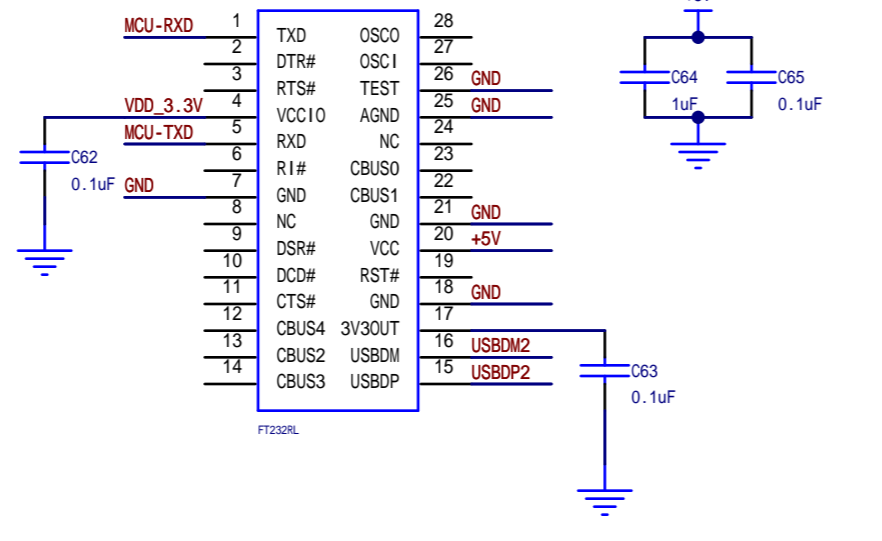
### 5Inch TFT



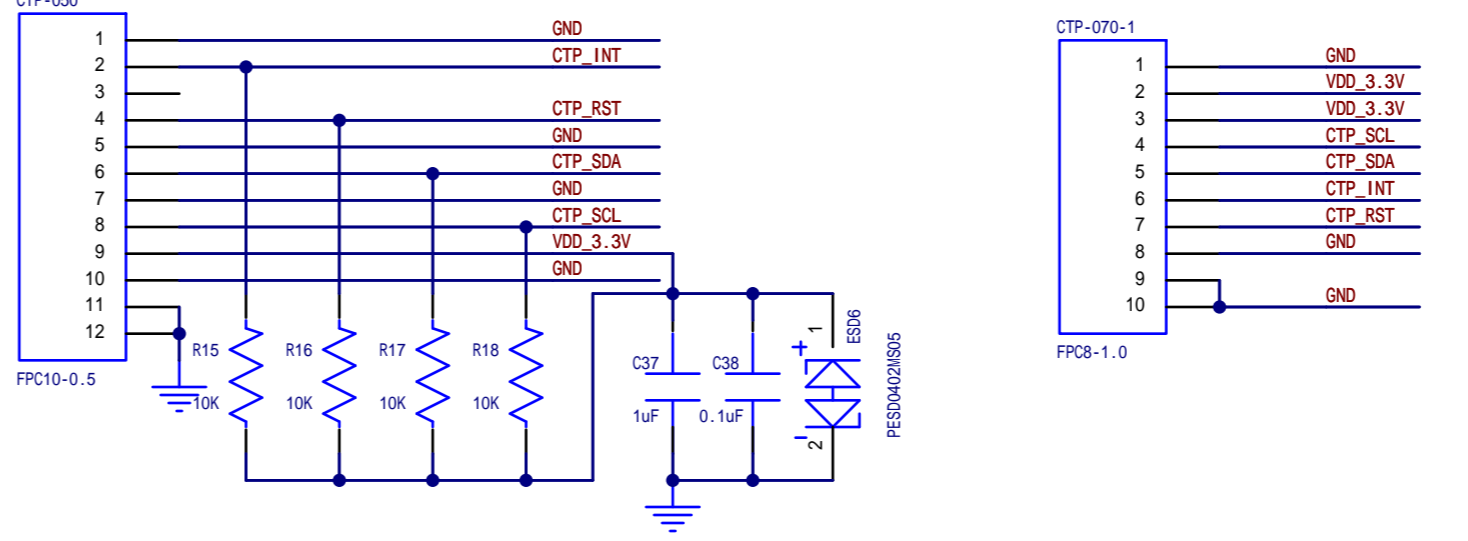
### SPK



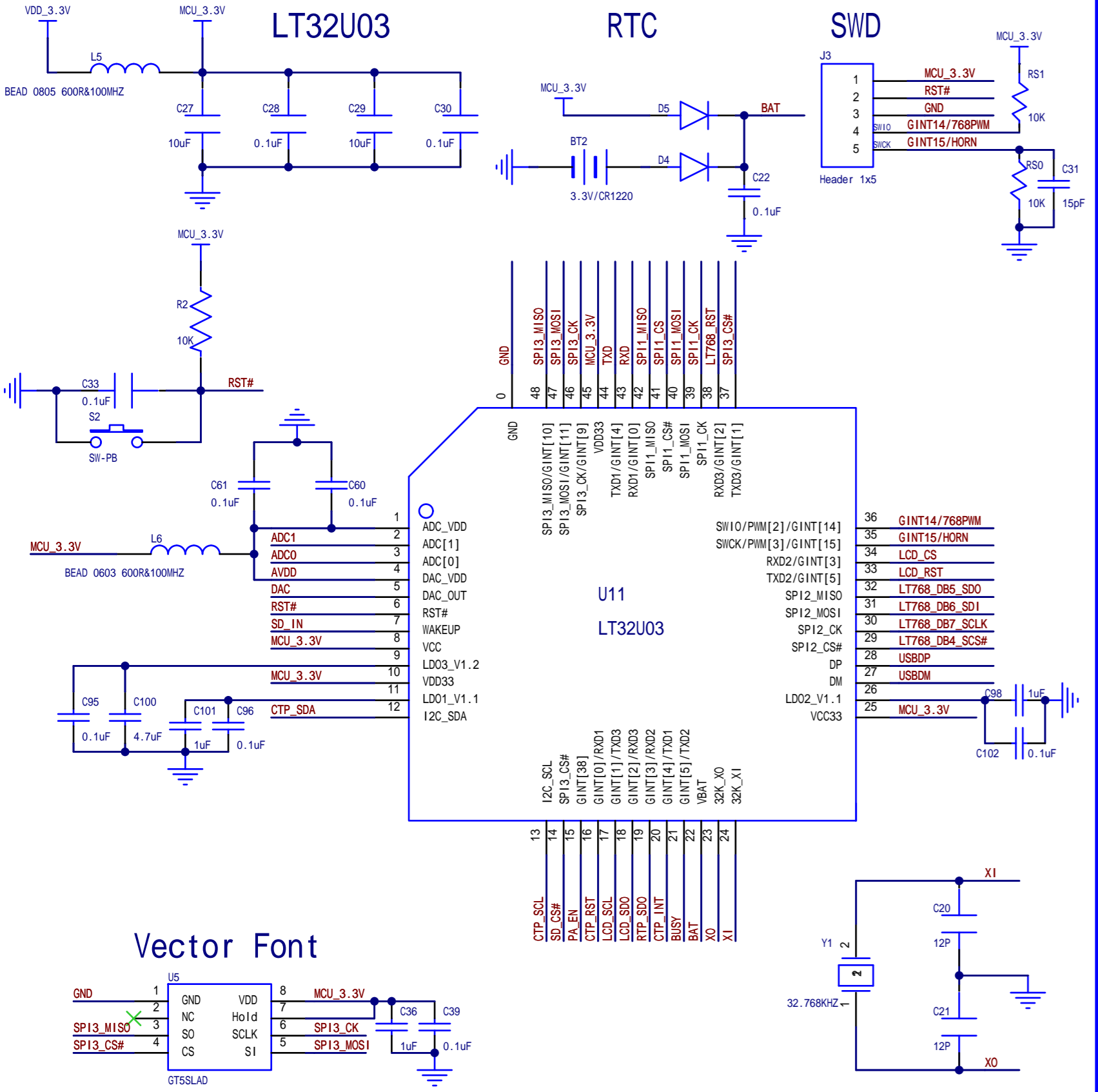
### FT232L



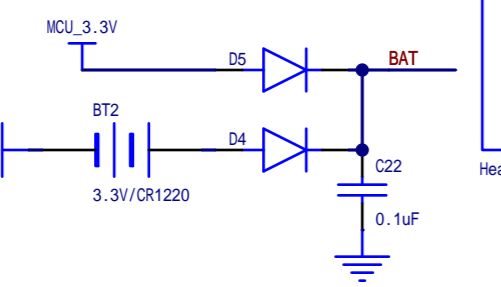
### CTP



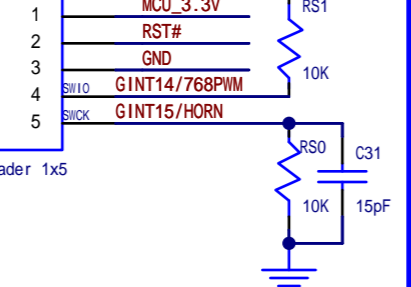
### LT32U03



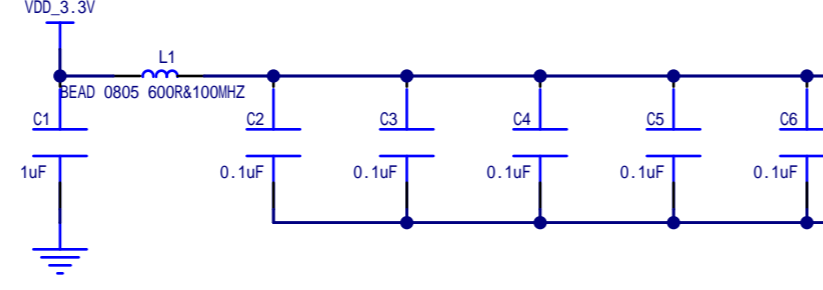
### RTC



### SWD

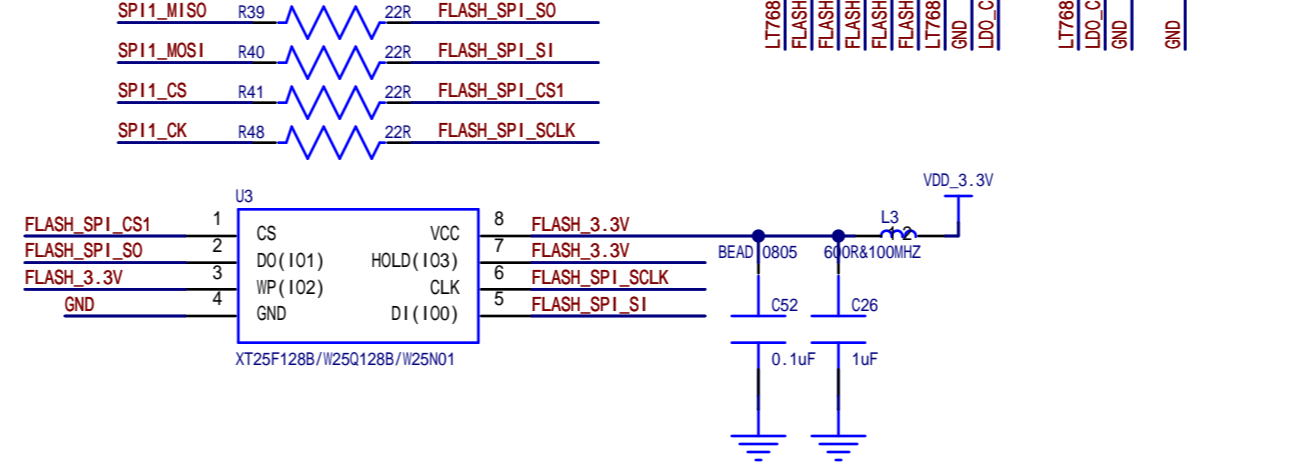


### LT7680

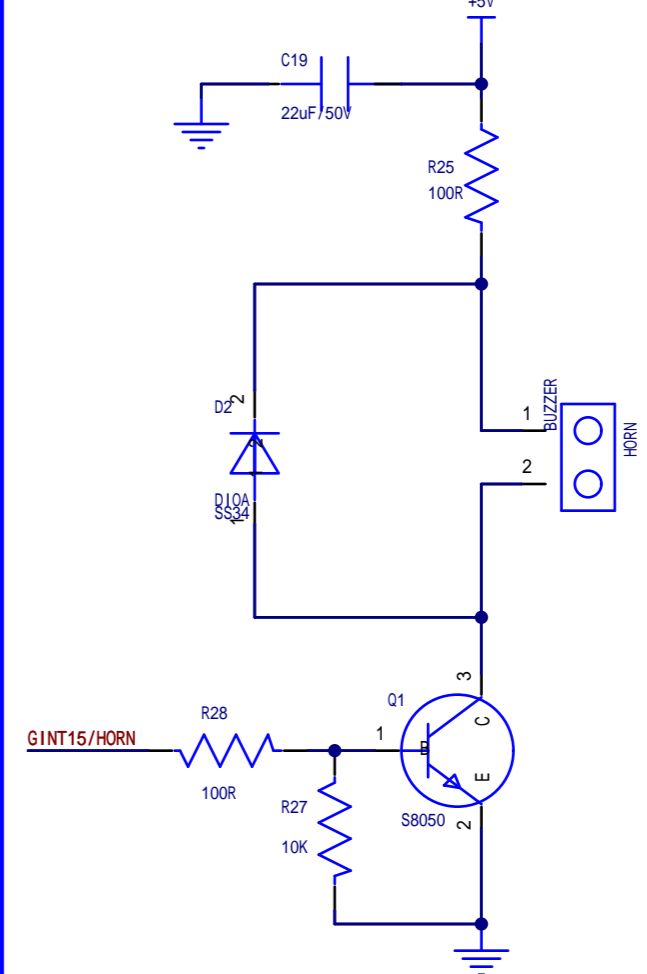


- LT768x external crystal circuit design options:
- Using MCU P1M to supply the clock -> weld R12 and C16, remove oscillator(Y2)
  - Using oscillator -> remove R12 and C16, weld oscillator(Y2)

### FLASH



### HORN



When use SWD, remove R28

### LCD SPI Initialization

