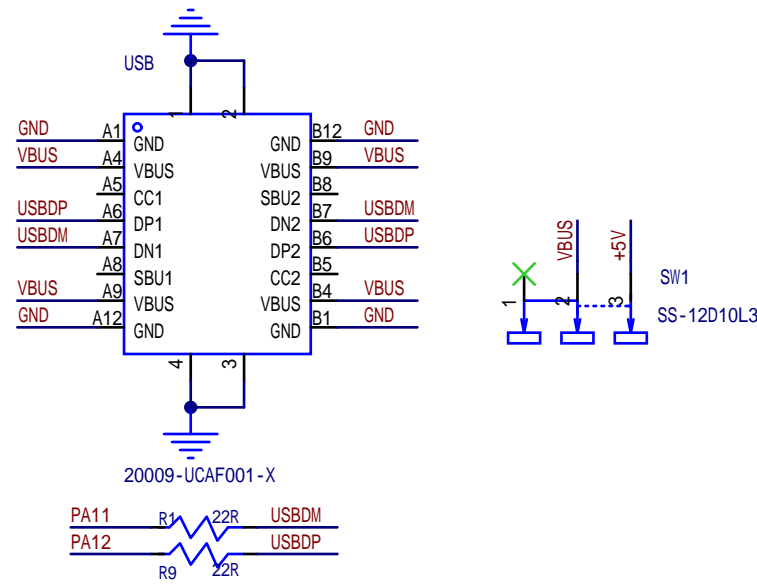
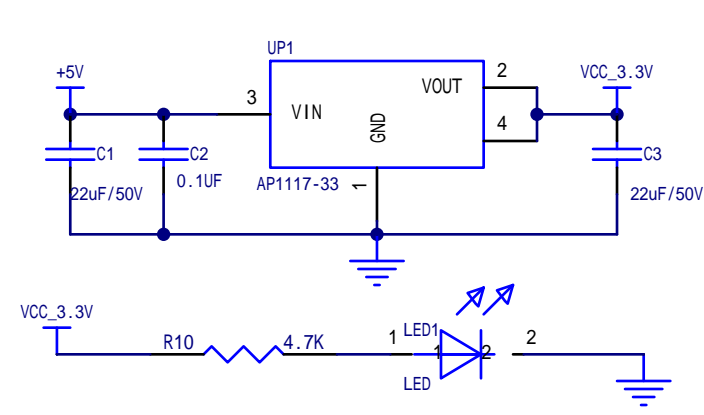


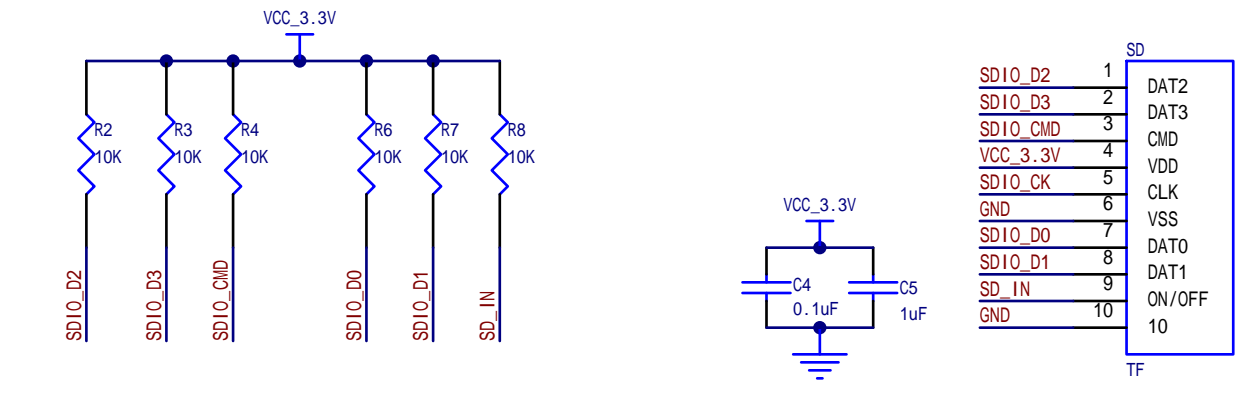
### USB



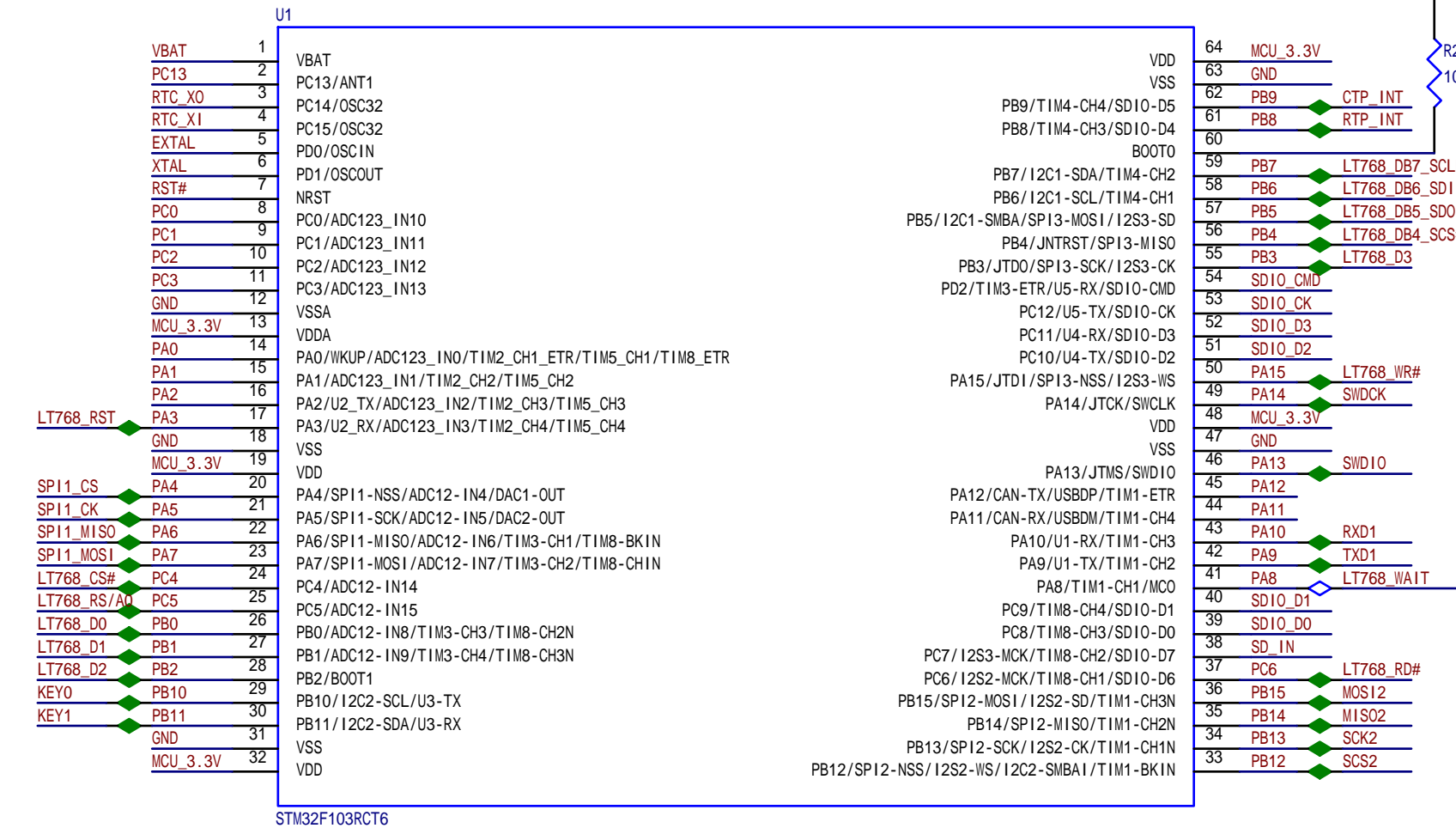
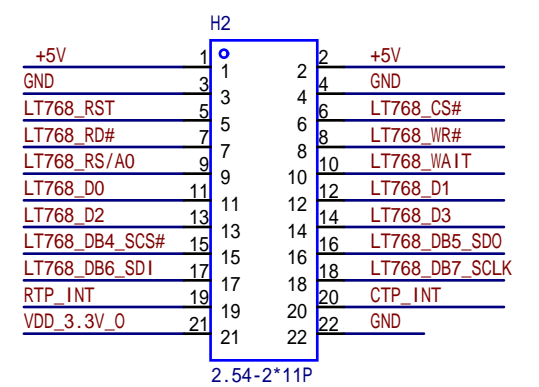
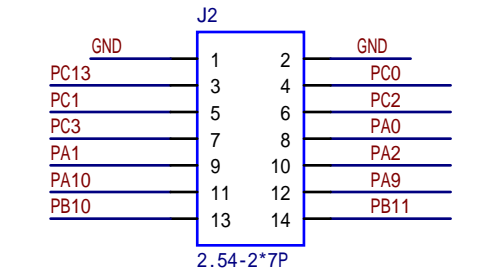
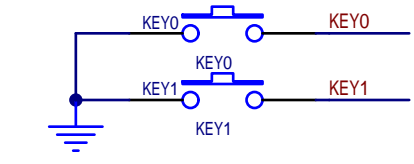
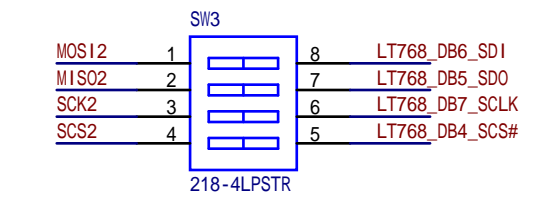
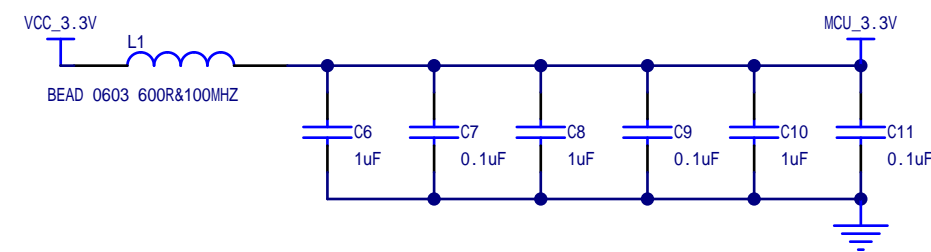
### 5V TO 3.3V



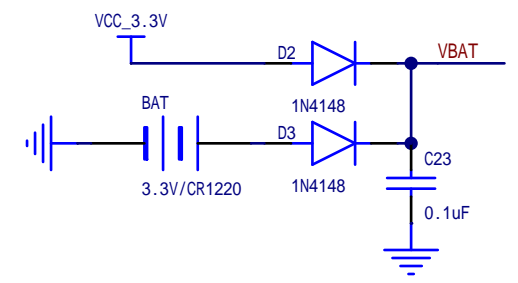
### TF-CARD



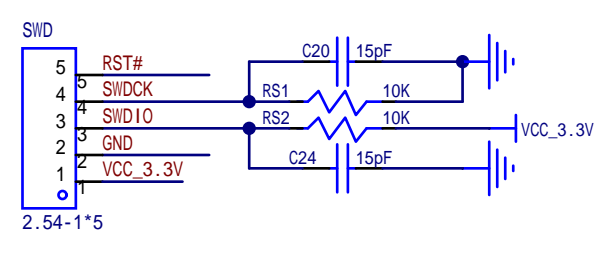
SDIO_D2	1	DAT2
SDIO_D3	2	DAT3
SDIO_CMD	3	CMD
VCC_3.3V	4	VDD
SDIO_CLK	5	CLK
GND	6	VSS
SDIO_D0	7	DAT0
SDIO_D1	8	DAT1
SD_IN	9	ON/OFF
GND	10	



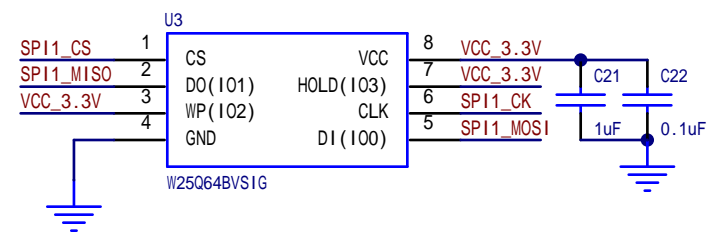
### RTC



### SWD



### FLASH



Title		
Size	Number	Revision
A3		
Date:	Sheet 01	
File:	Drawn By:	