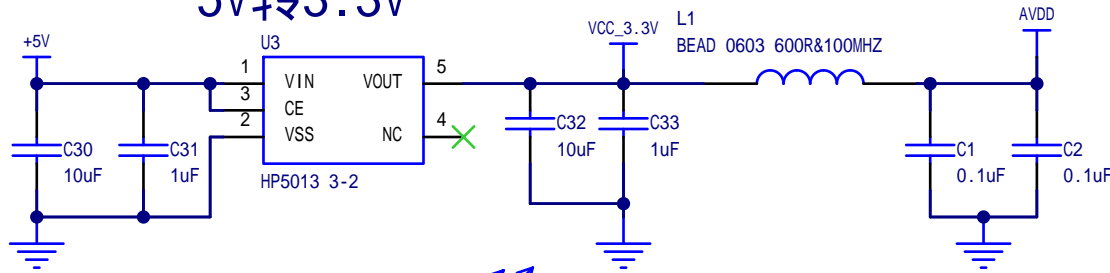
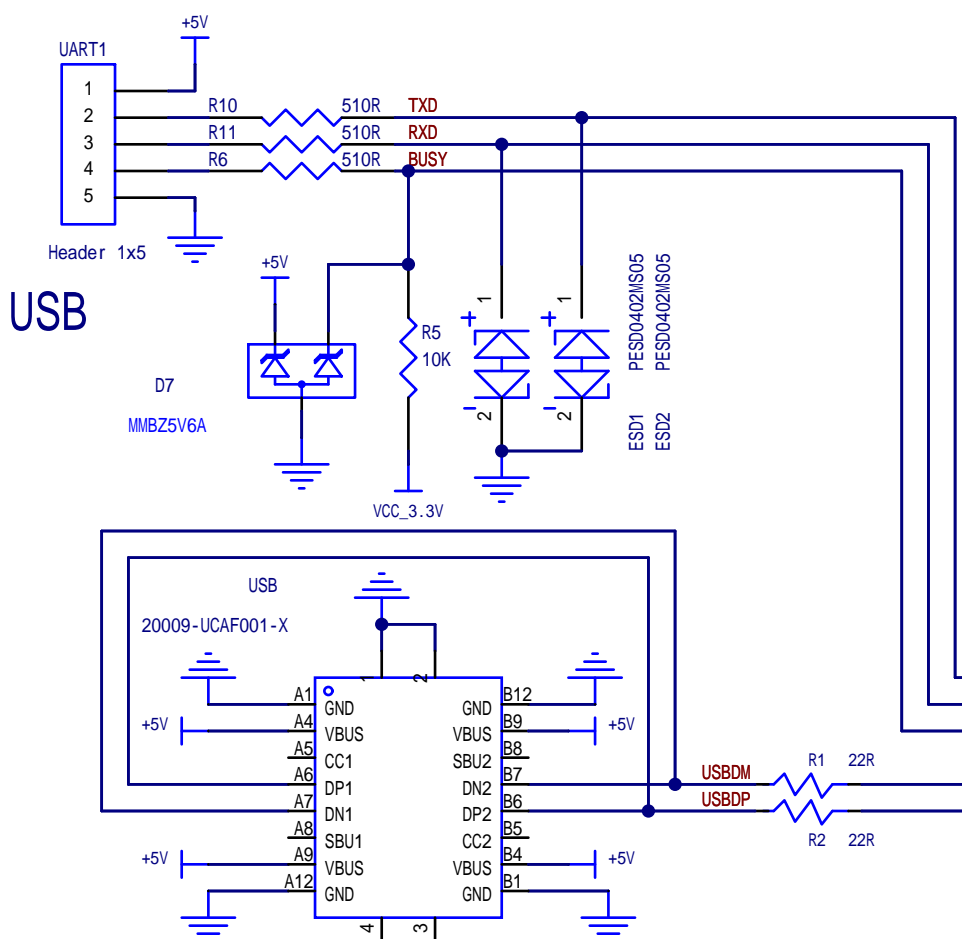


通信接口

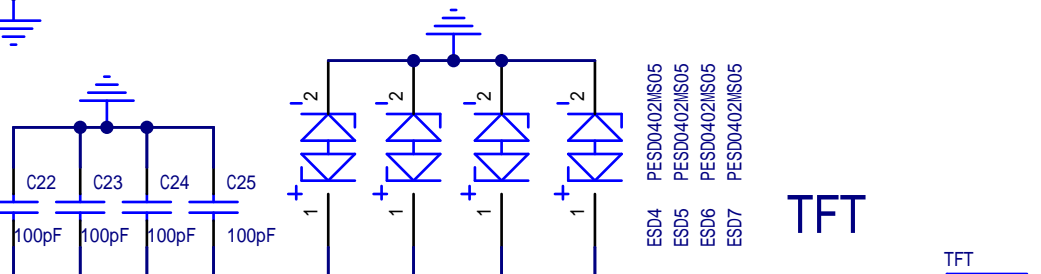
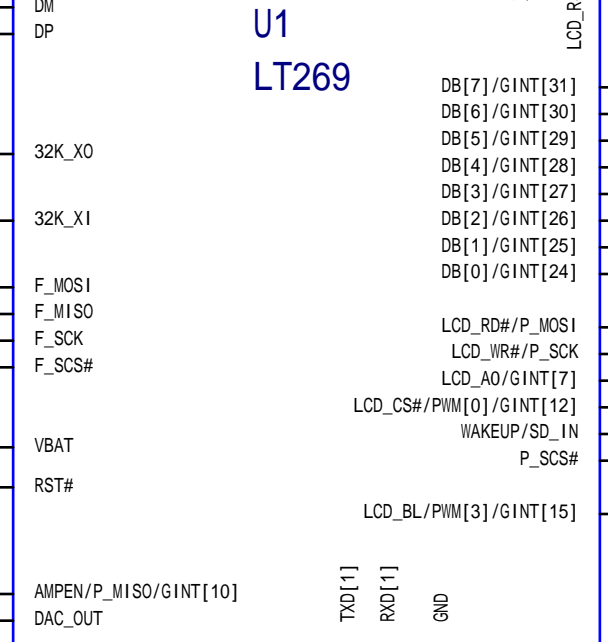
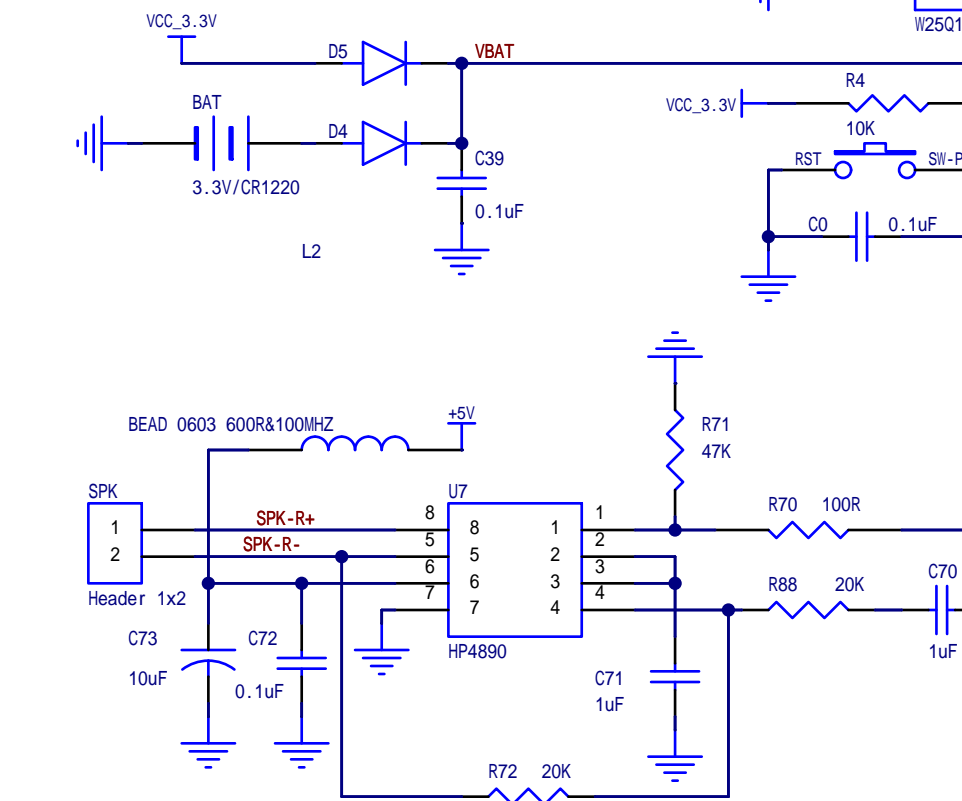
LT269处于升级状态时，主控设备不可通过串口向其发送数据

5V转3.3V

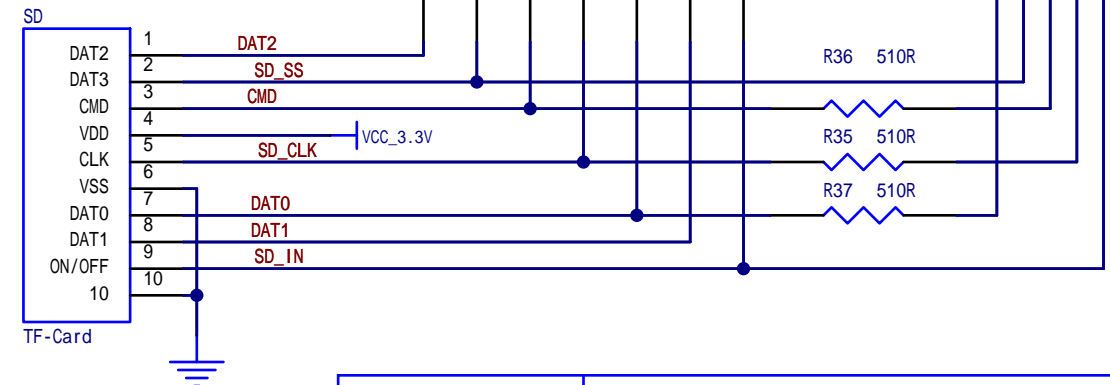
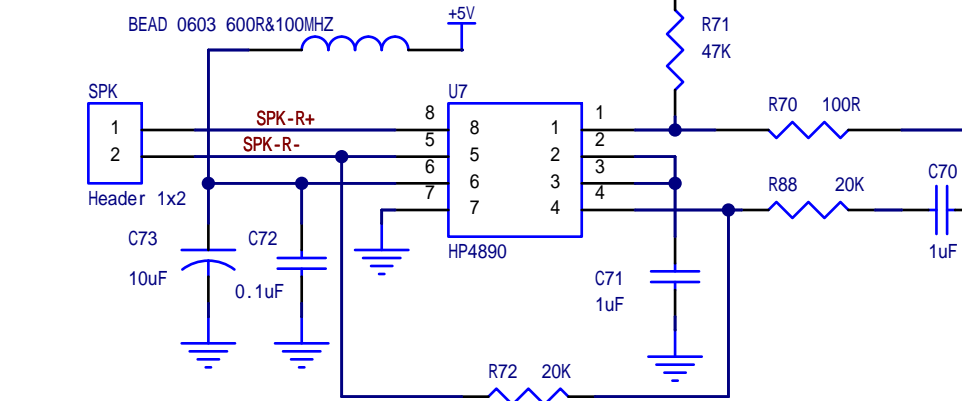


RTC

FLASH



音频电路



Schematic	LT269_Demo_V1.3		Update Date	2023-07-18
			Create Date	2022-05-31
Page	LT269_Demo_V1.3		Part Number	
Drawn				
Reviewed				
	VER	SIZE	PAGE	1 OF 1
	V1.3		LEVETOP	

