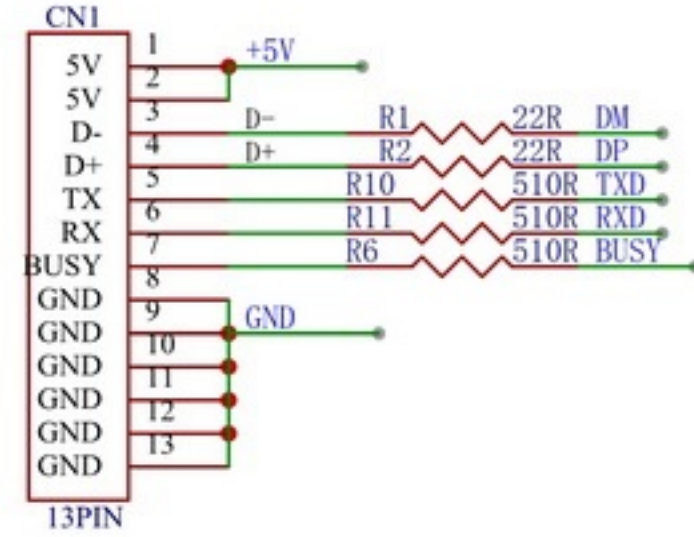
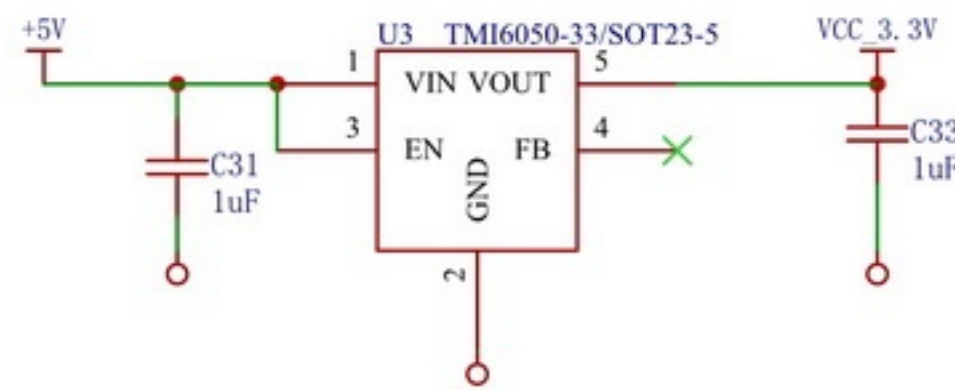


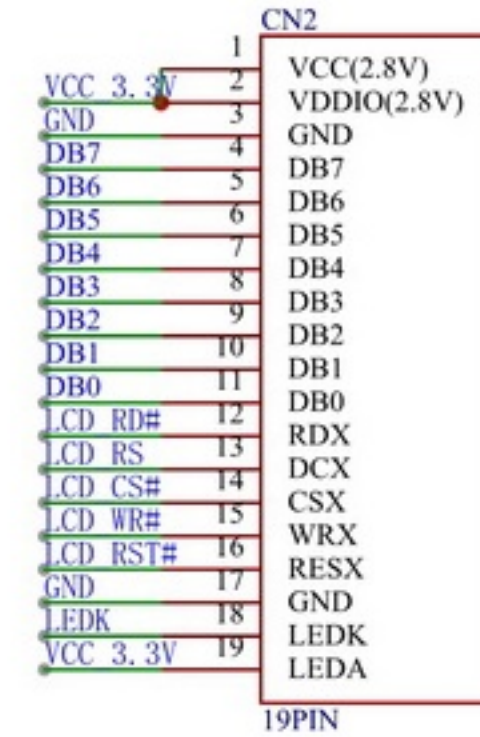
# USB



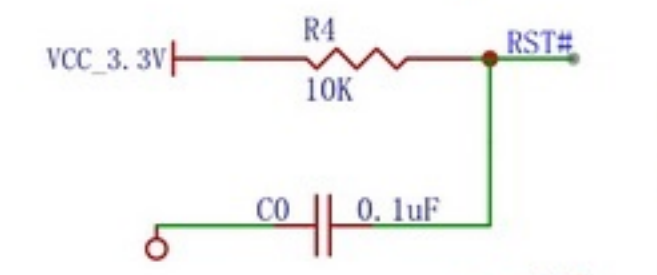
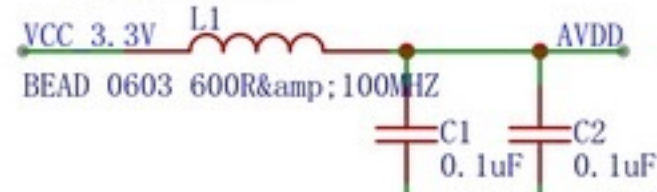
# 5V转3.3V



LT269处于升级状态时，主控设备不可通过串口向其发送数据



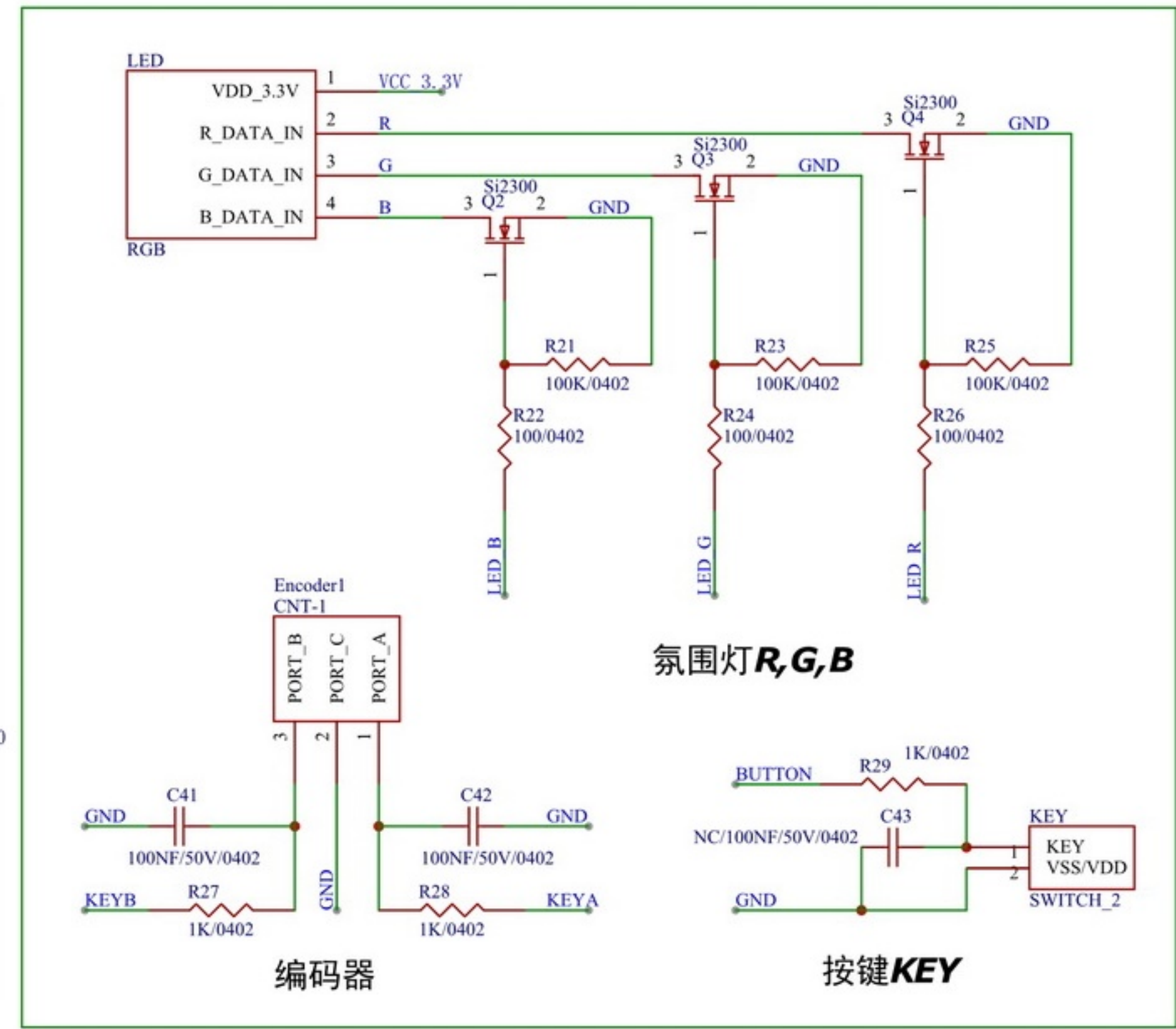
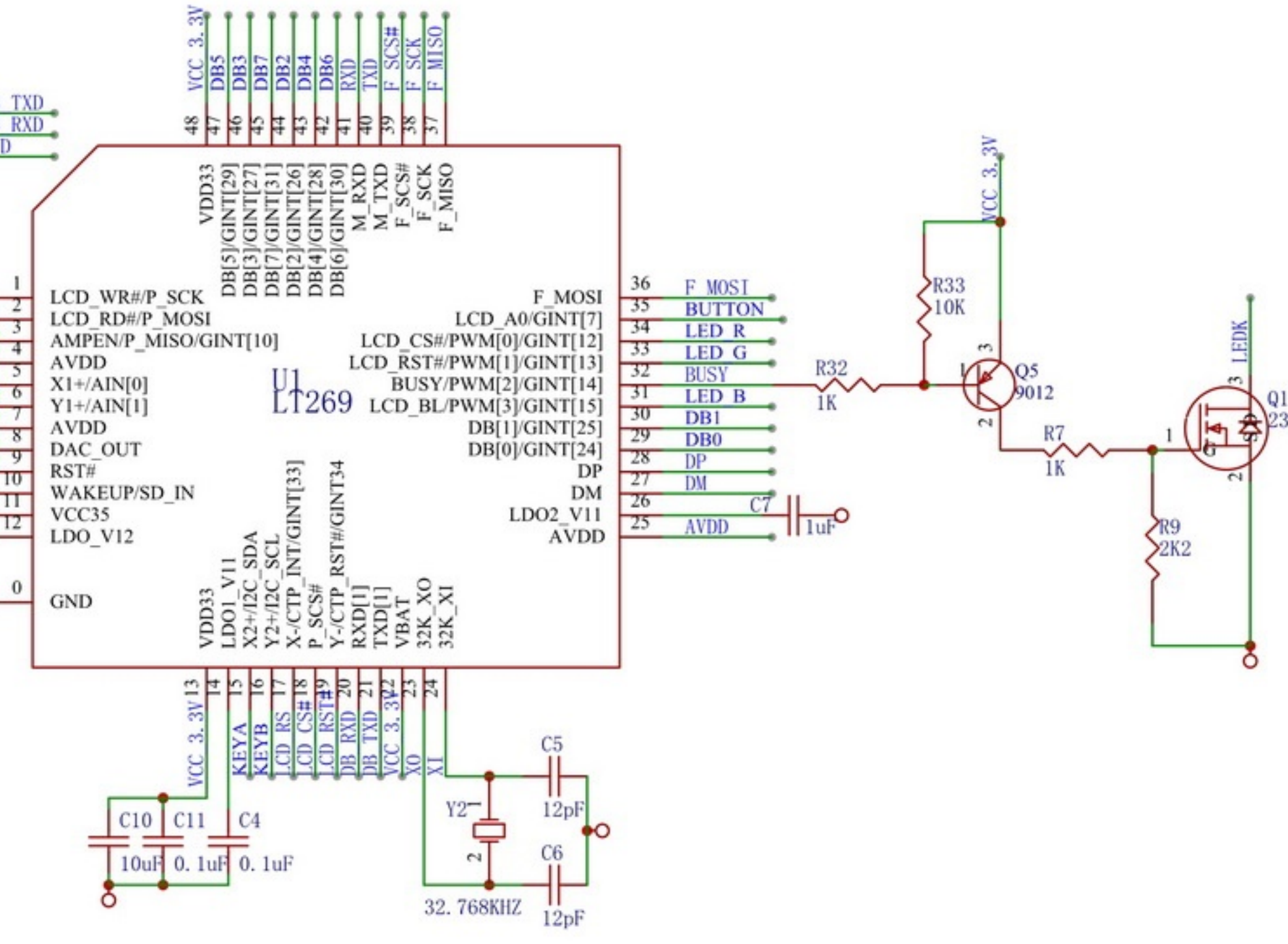
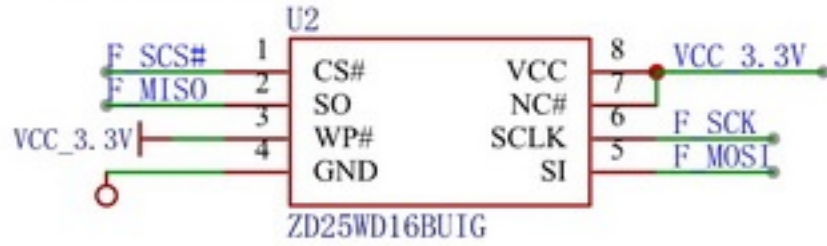
# LT269



# RTC



# FLASH



Schematic	LT269_Demo 1.3" 240x240 (圆屏)	Update Date	2023-07-18
Page	LT269_Demo	Create Date	2022-05-31
Drawn		Part Number	
Reviewed			
		 <b>乐升半导体有限公司</b> LeveTop Semiconductor	
	VER	SIZE	PAGE 1 OF 1
	V1.0		LEVETOP