

CODE:	SIZE:	DRAWING NO:	REV:
<Code>	B	LT768 DEVELOP V1.0	A
Date:	<Scale>	Sheet of	5

6

5

4

3

2

1

D

D

C

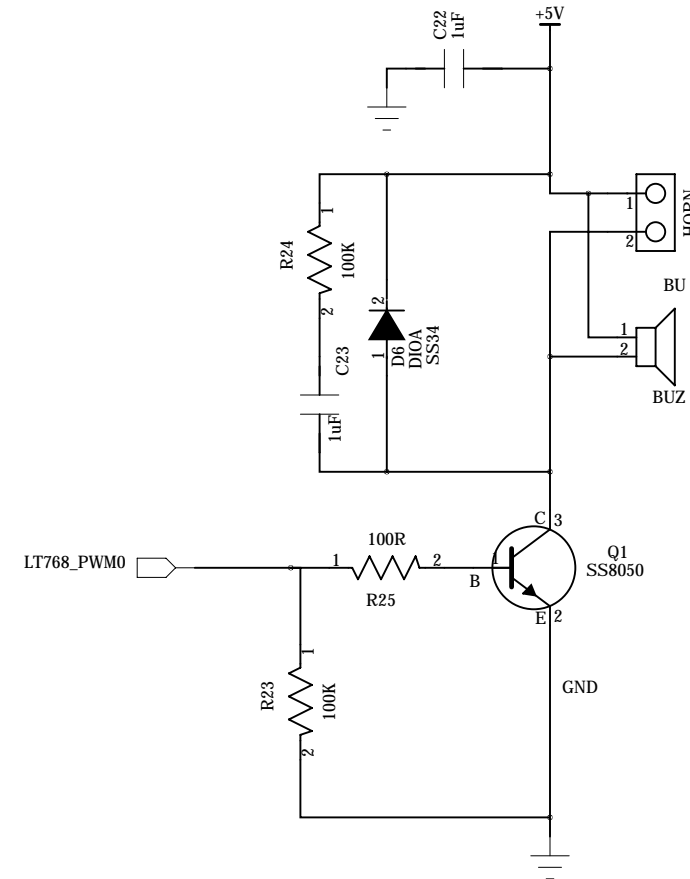
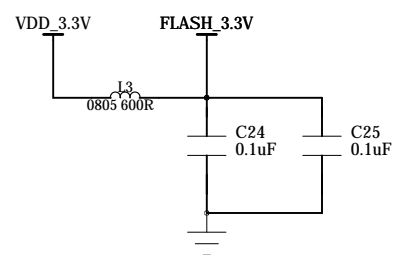
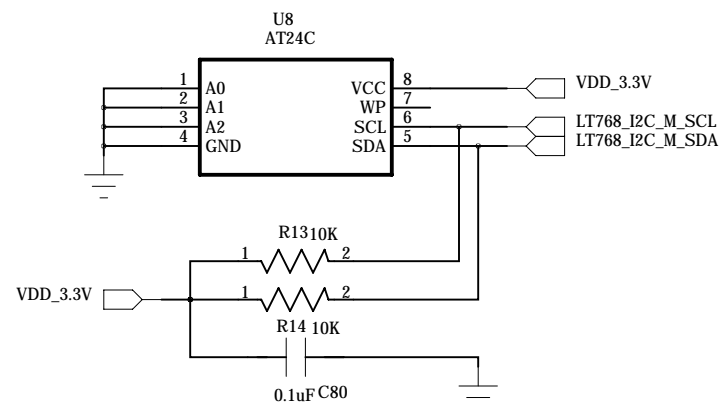
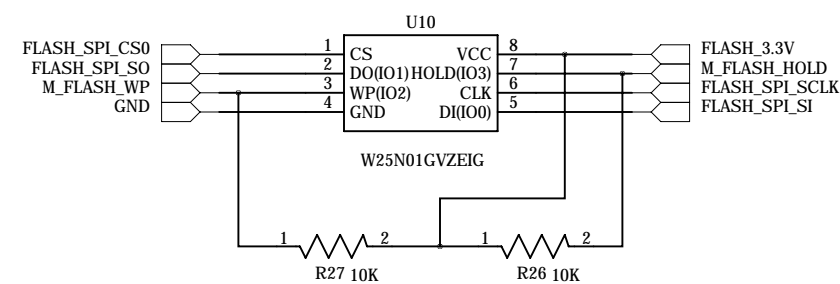
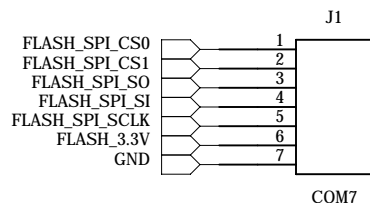
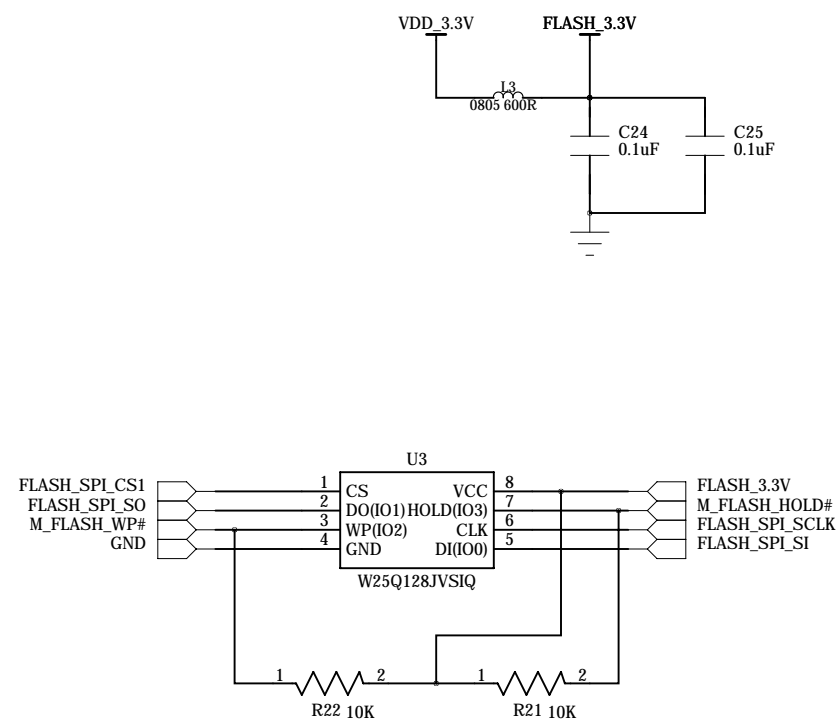
C

B

B

A

A



CODE: <Code>	SIZE: B	DRAWING NO: LT768 DEVELOP V1.0	REV: A
Date: <Scale>		Sheet: 02 / 5	

6

5

4

3

2

1

D

D

C

C

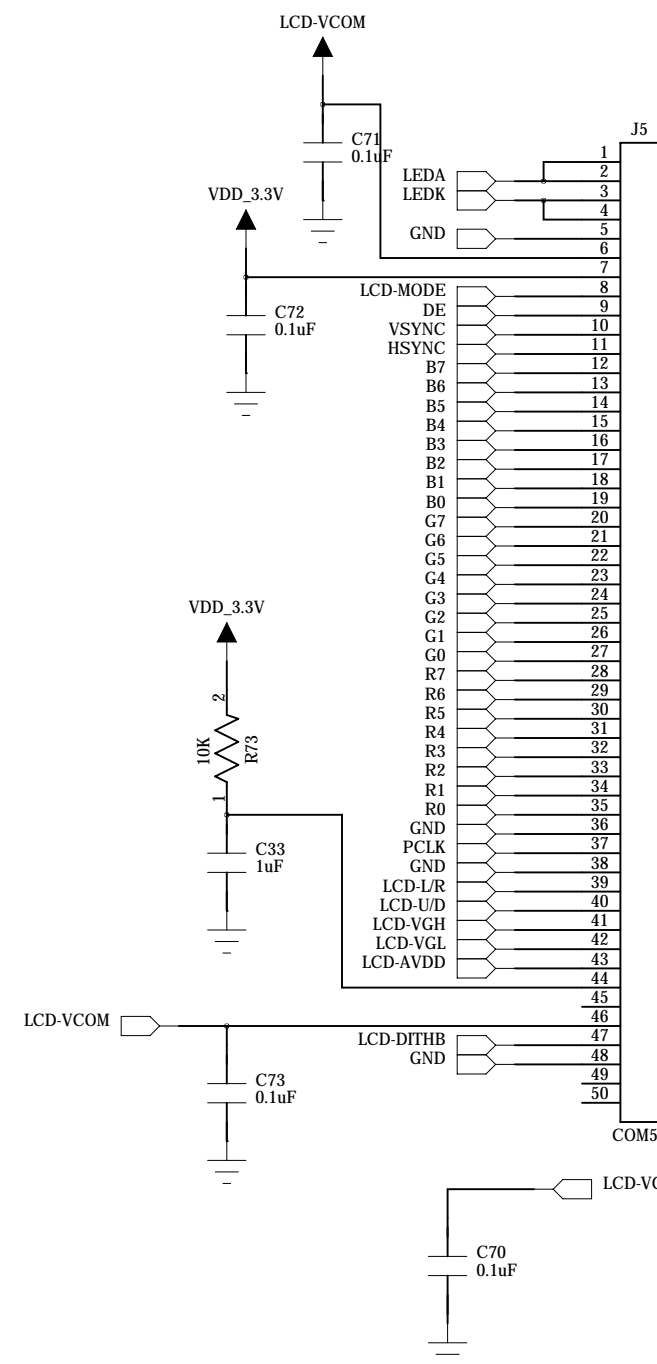
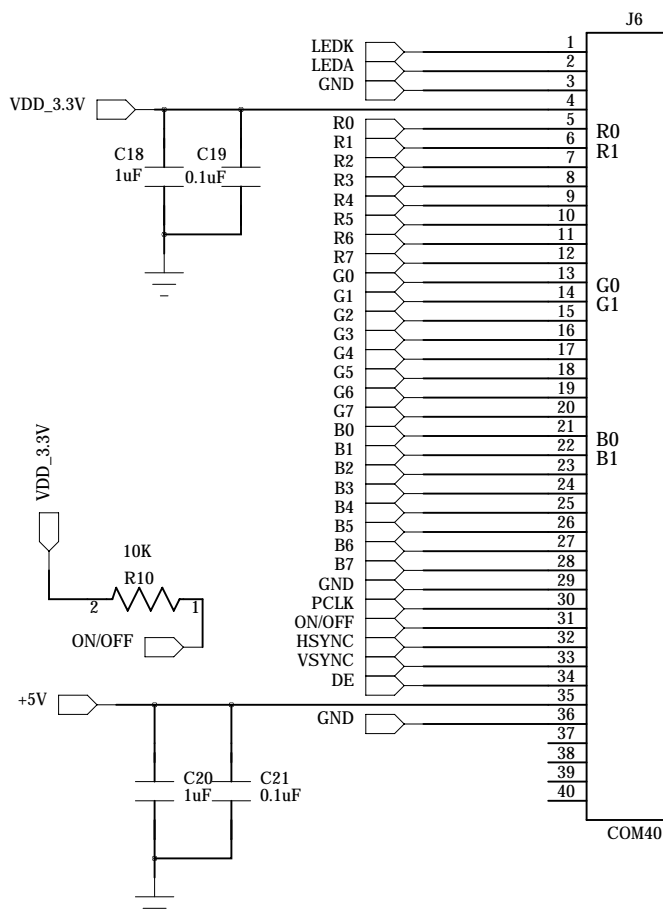
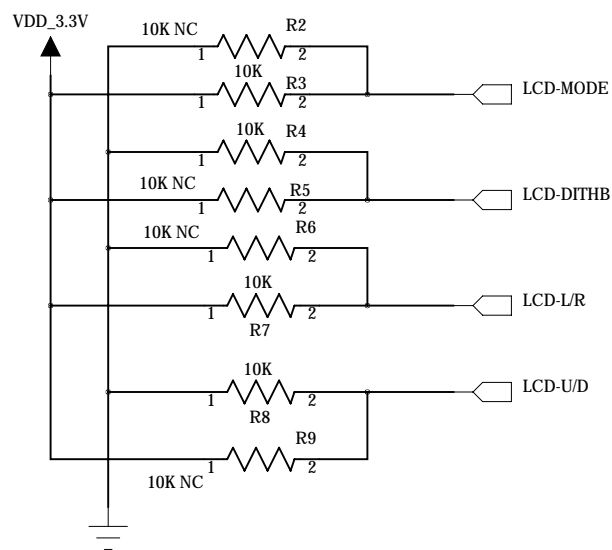
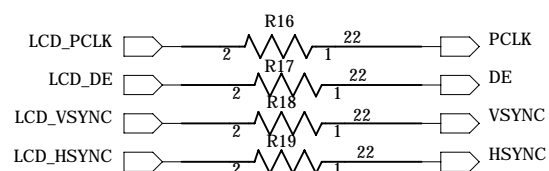
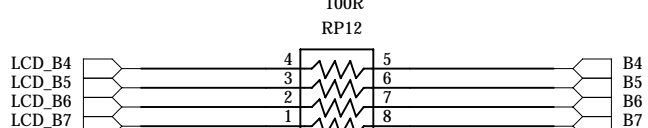
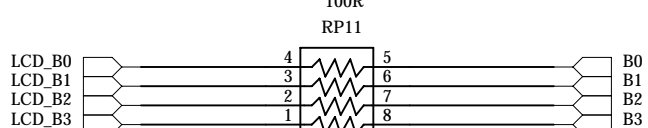
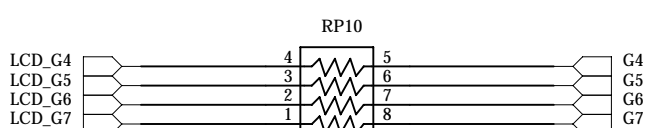
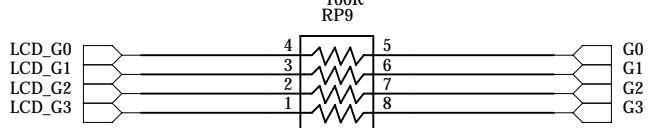
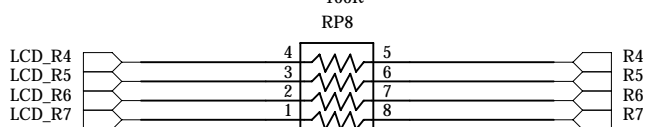
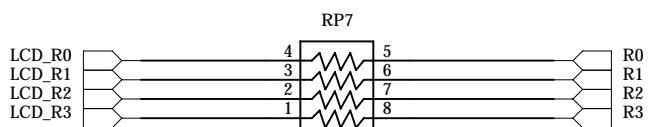
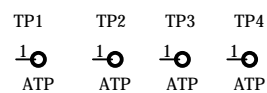
B

B

A

A

LCD interface display



CODE:	SIZE:	DRAWING NO:	REV:
<Code>	B	LT768 DEVELOP V1.0 A	A
Date: <Scale>		Sheet: 03 5	

6

5

4

3

2

1

D

D

C

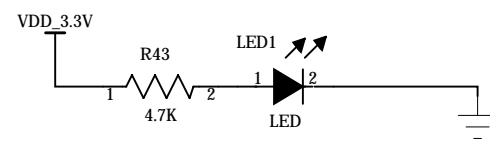
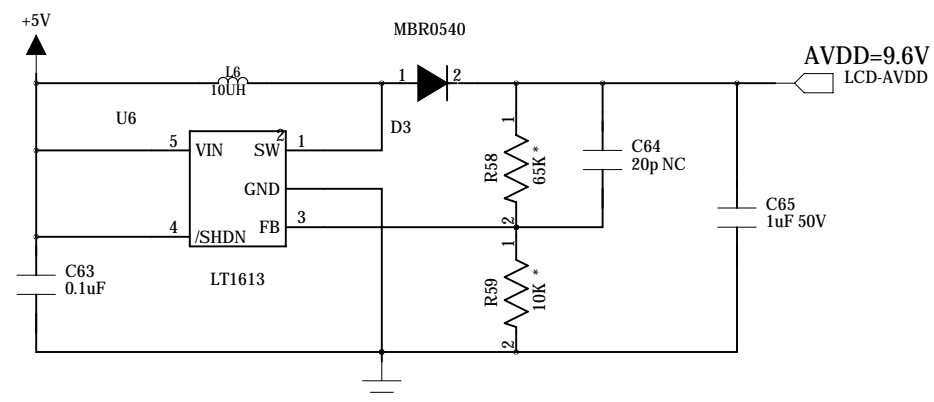
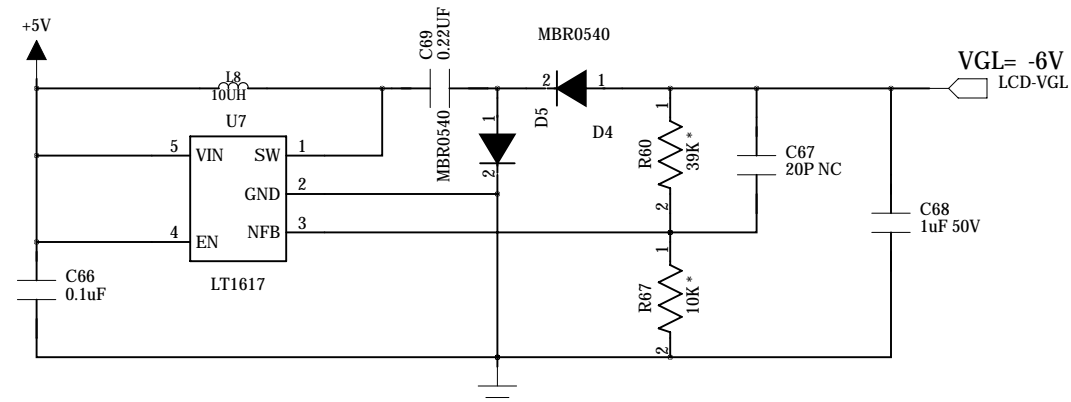
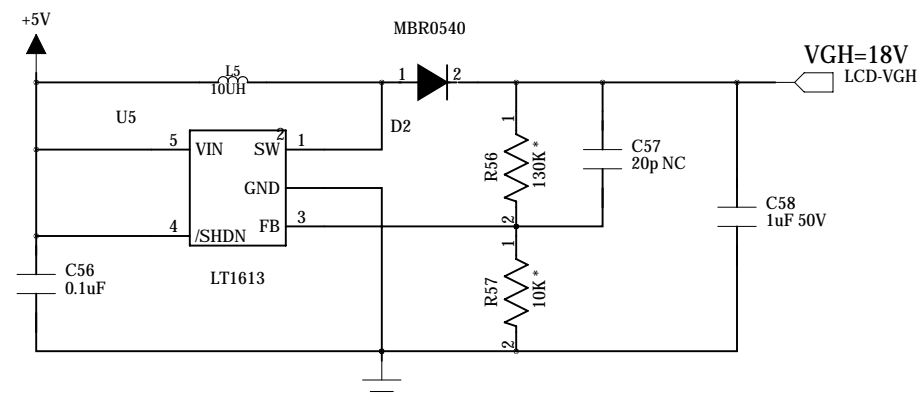
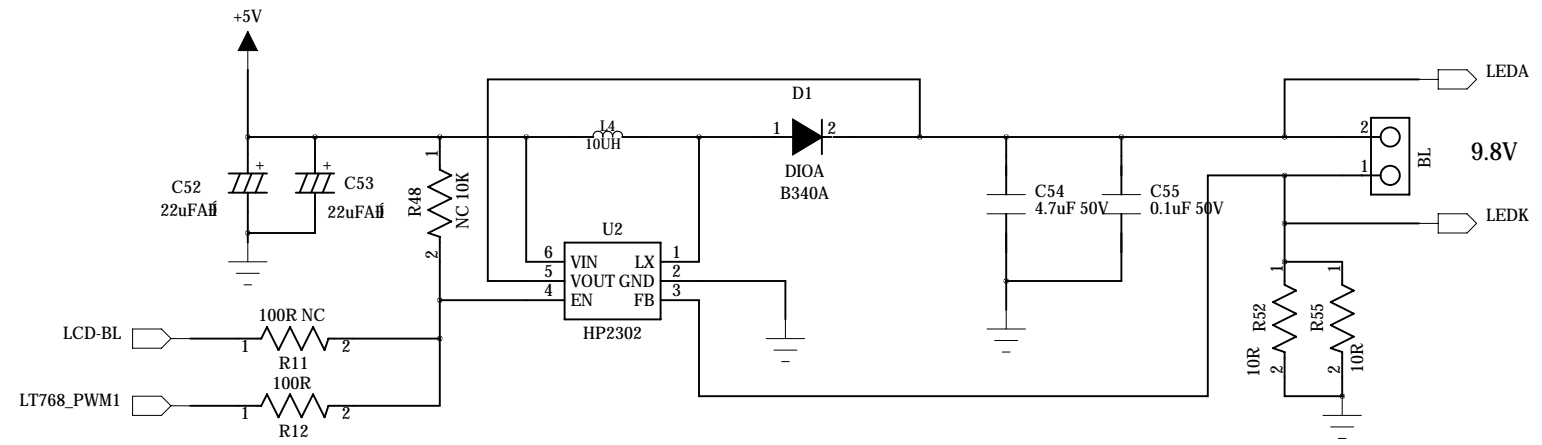
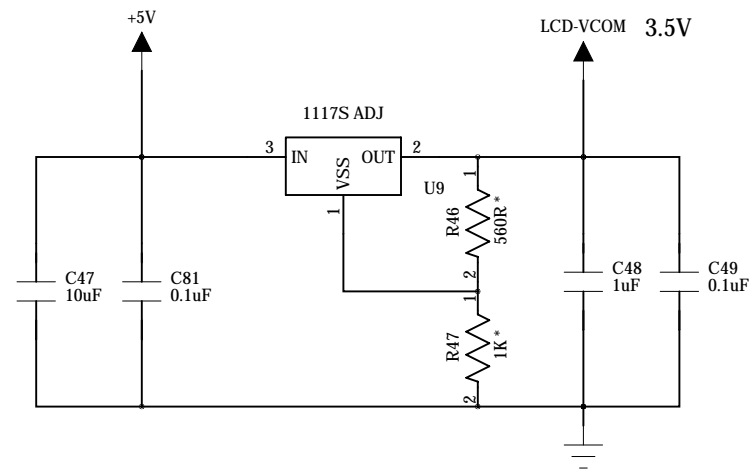
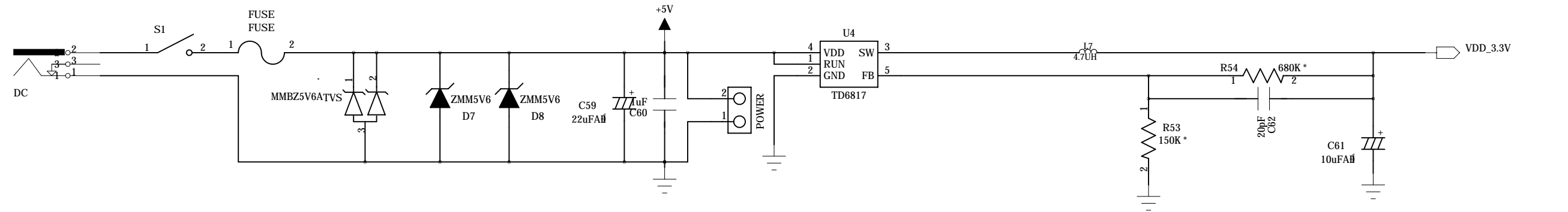
C

B

B

A

A



CODE:	SIZE:	DRAWING NO:	REV:
<Code>	B	LT768 DEVELOP V1.0	A
Date: <Scale>		Sheet: 4 5	

6

5

4

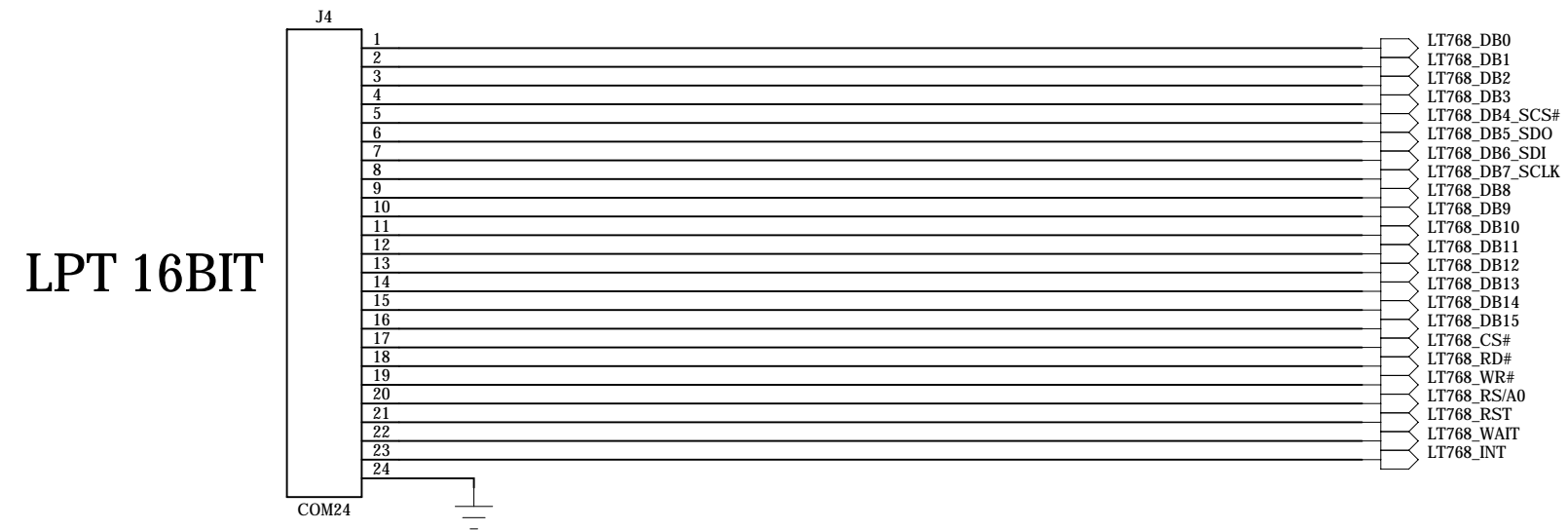
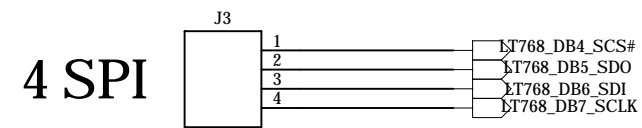
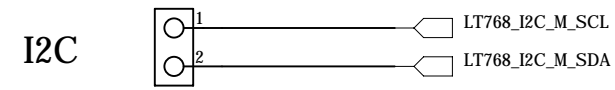
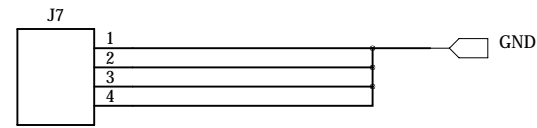
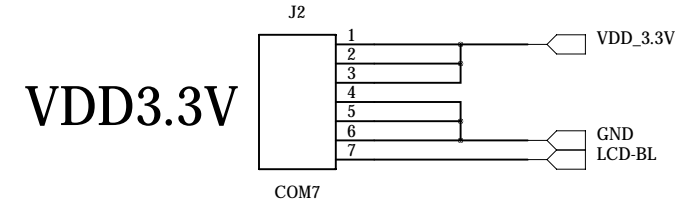
3

2

1

D

D



C

C

B

B

A

A

CODE:	SIZE:	DRAWING NO:	REV:
<Code>	B	LT768 DEVELOP V1.0A	
Date:	<Scale>	Sheet: 05	5