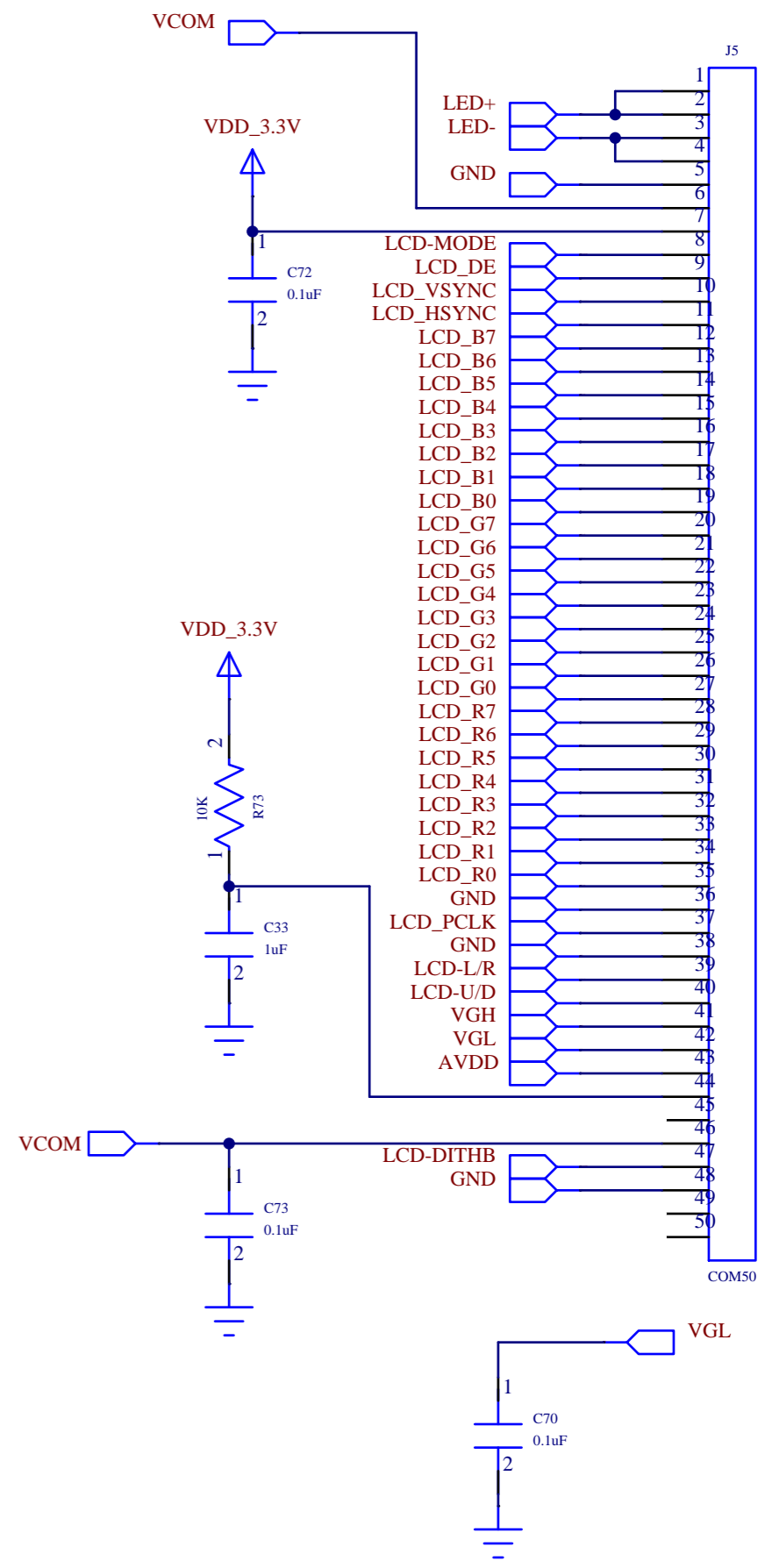
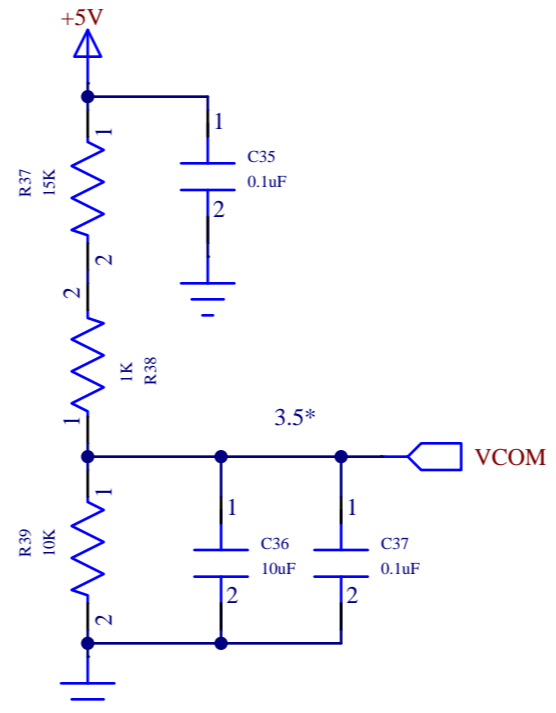
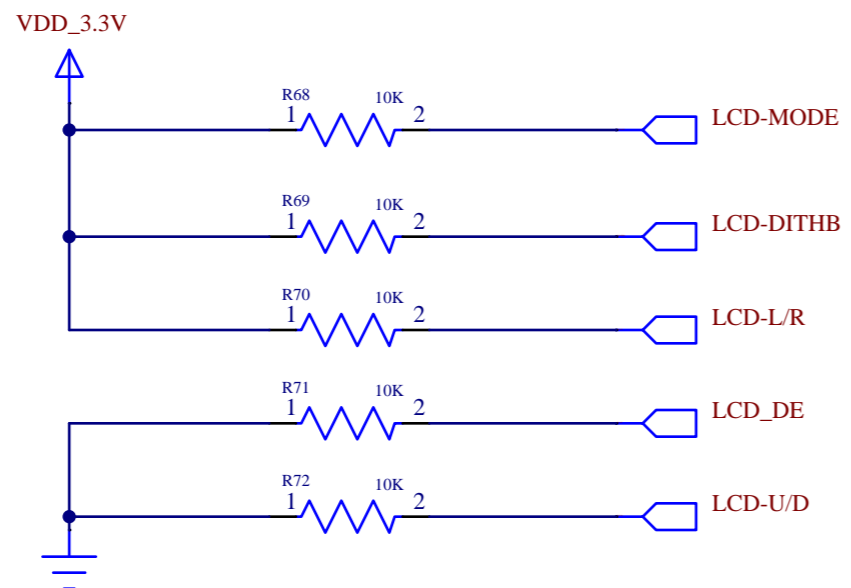
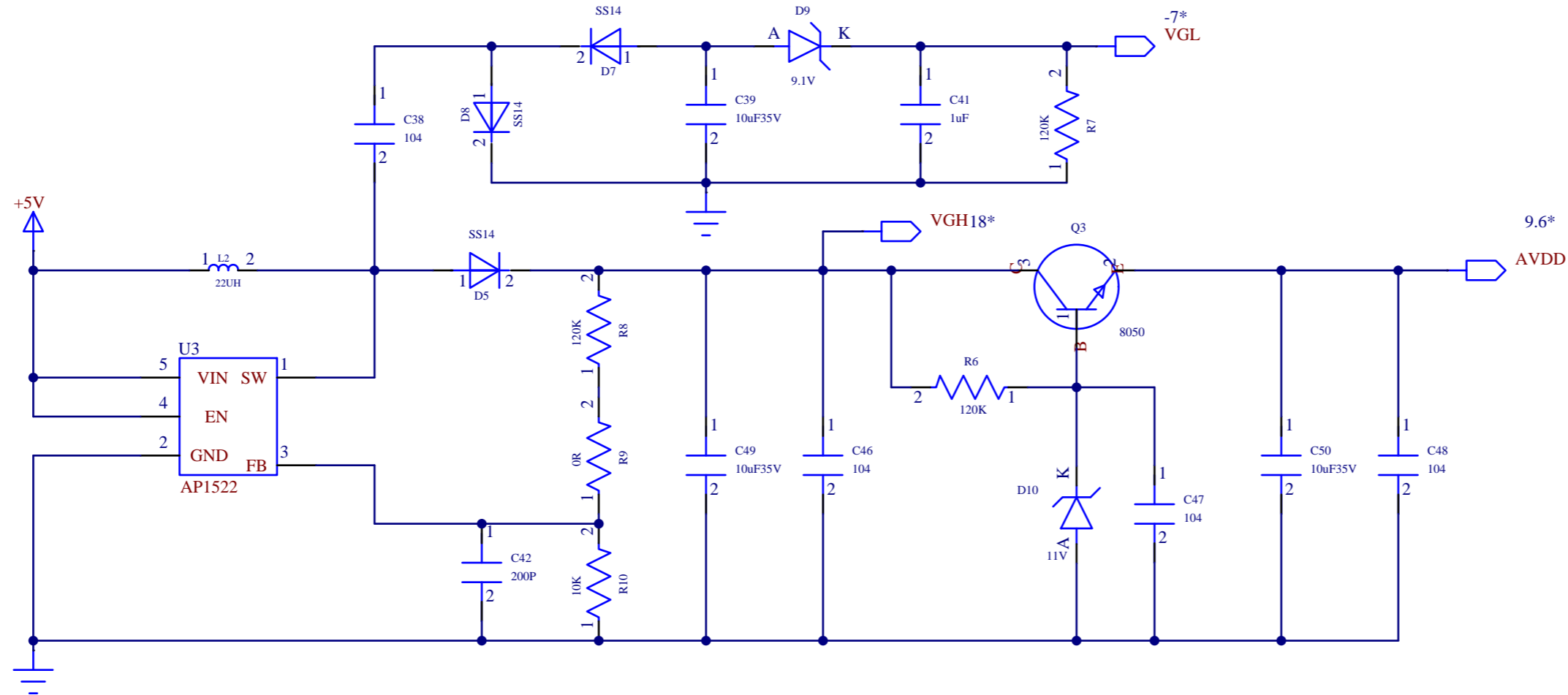
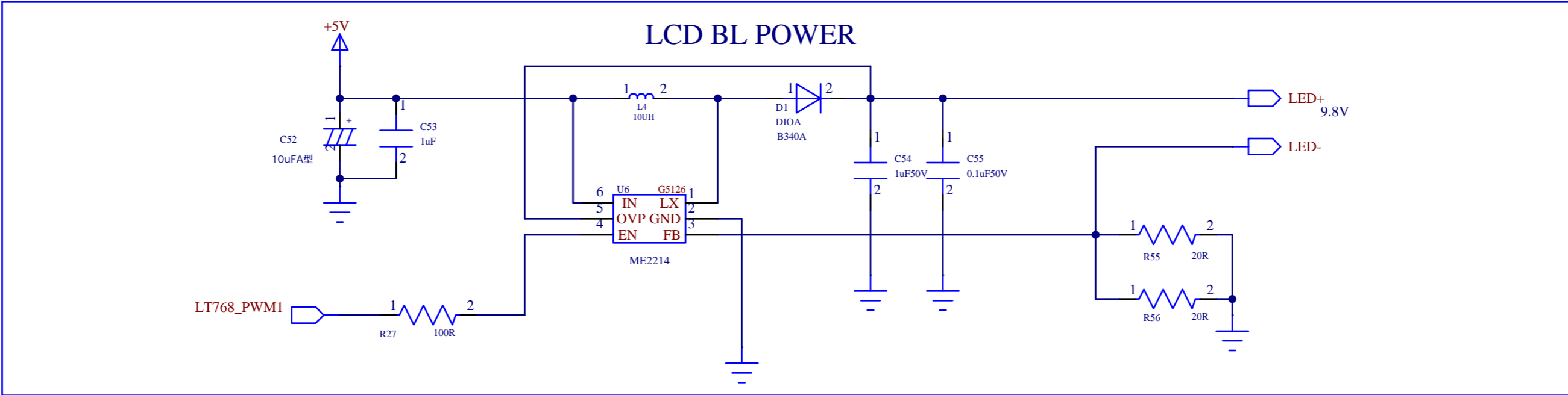
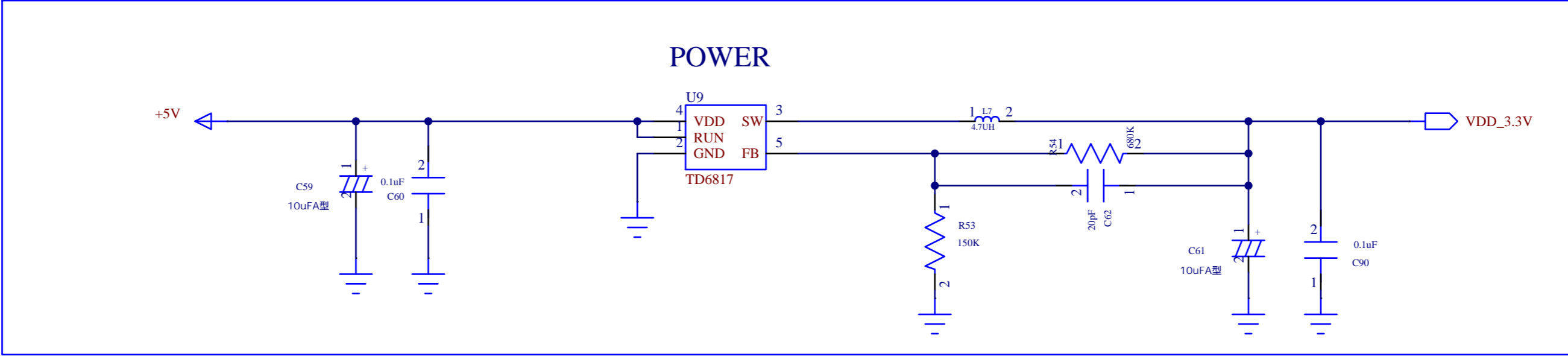
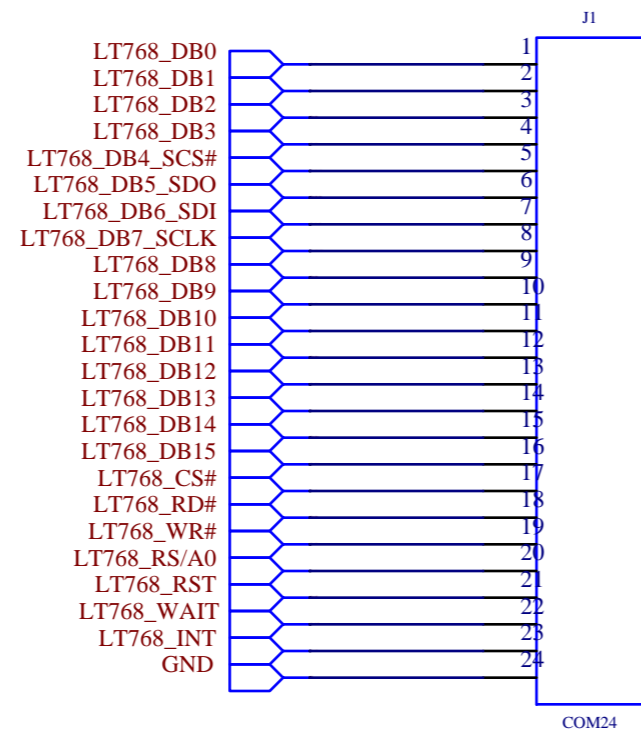
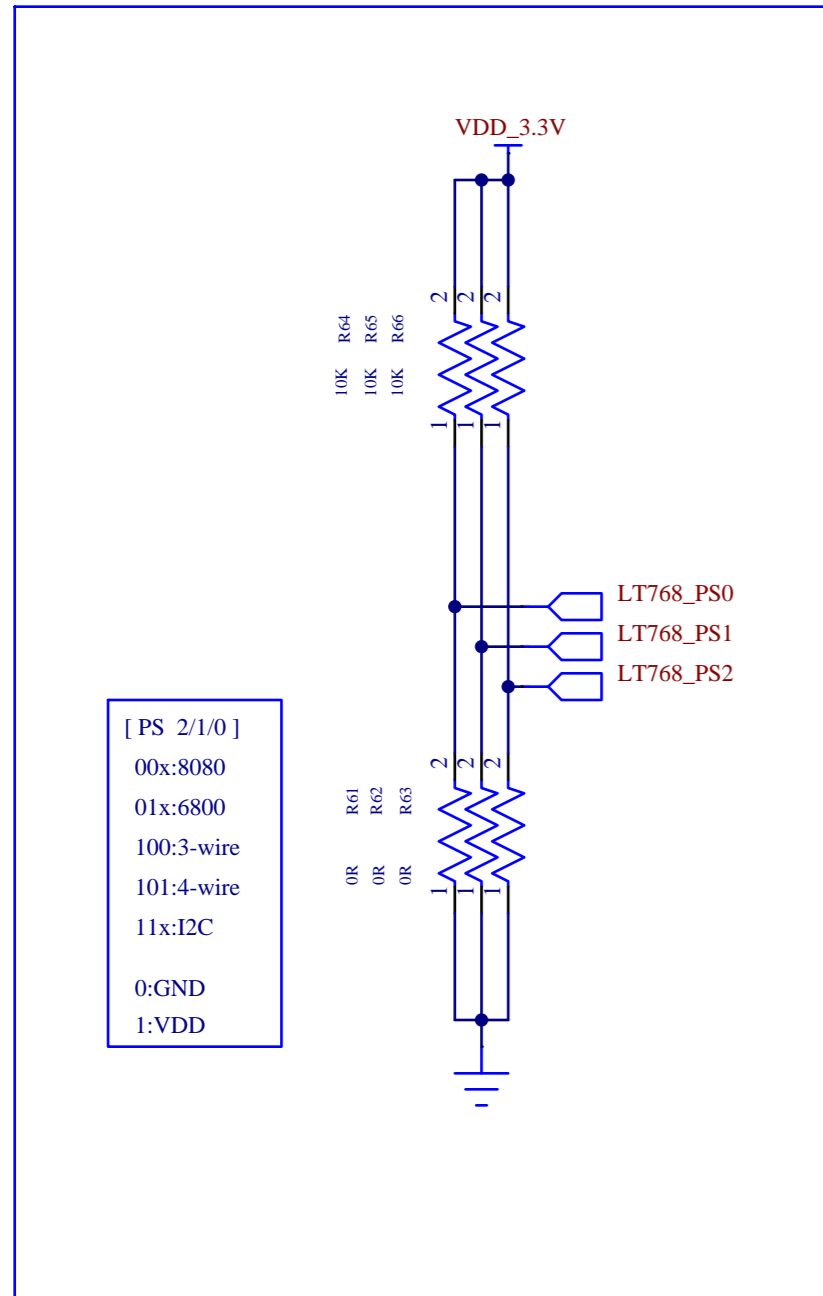


# LCD interface display

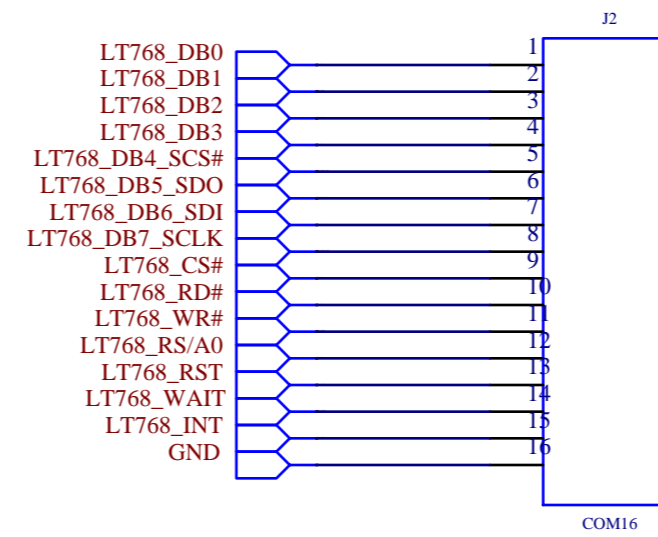
## LCD POWER



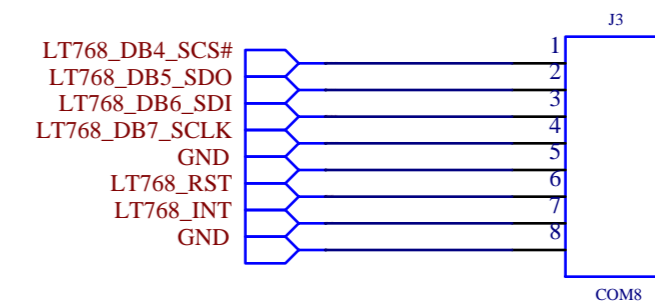




LPT 16bit



LPT 8bit



SPI 4 line